

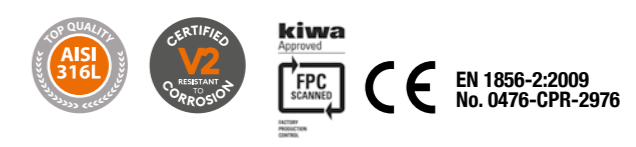
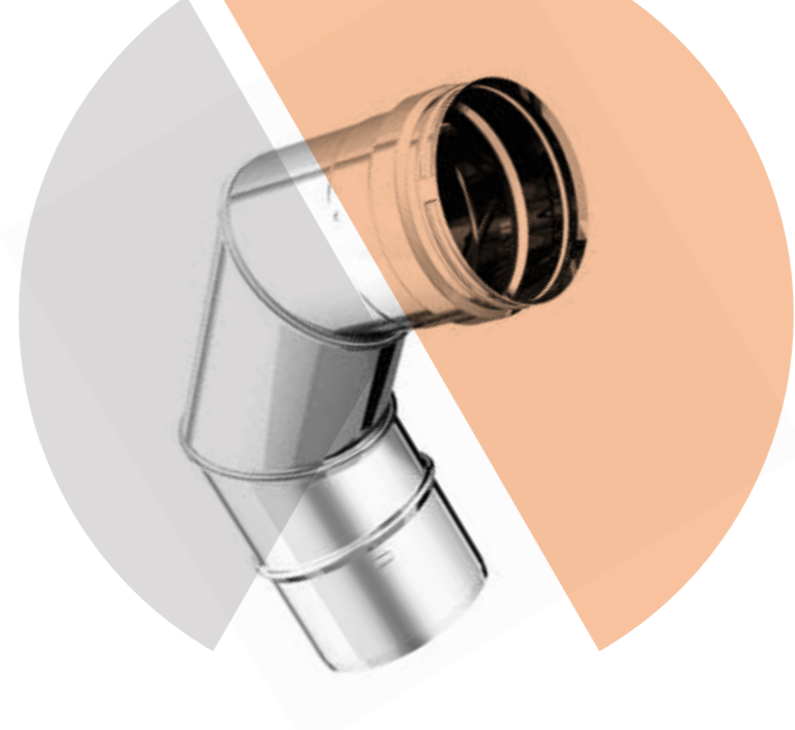
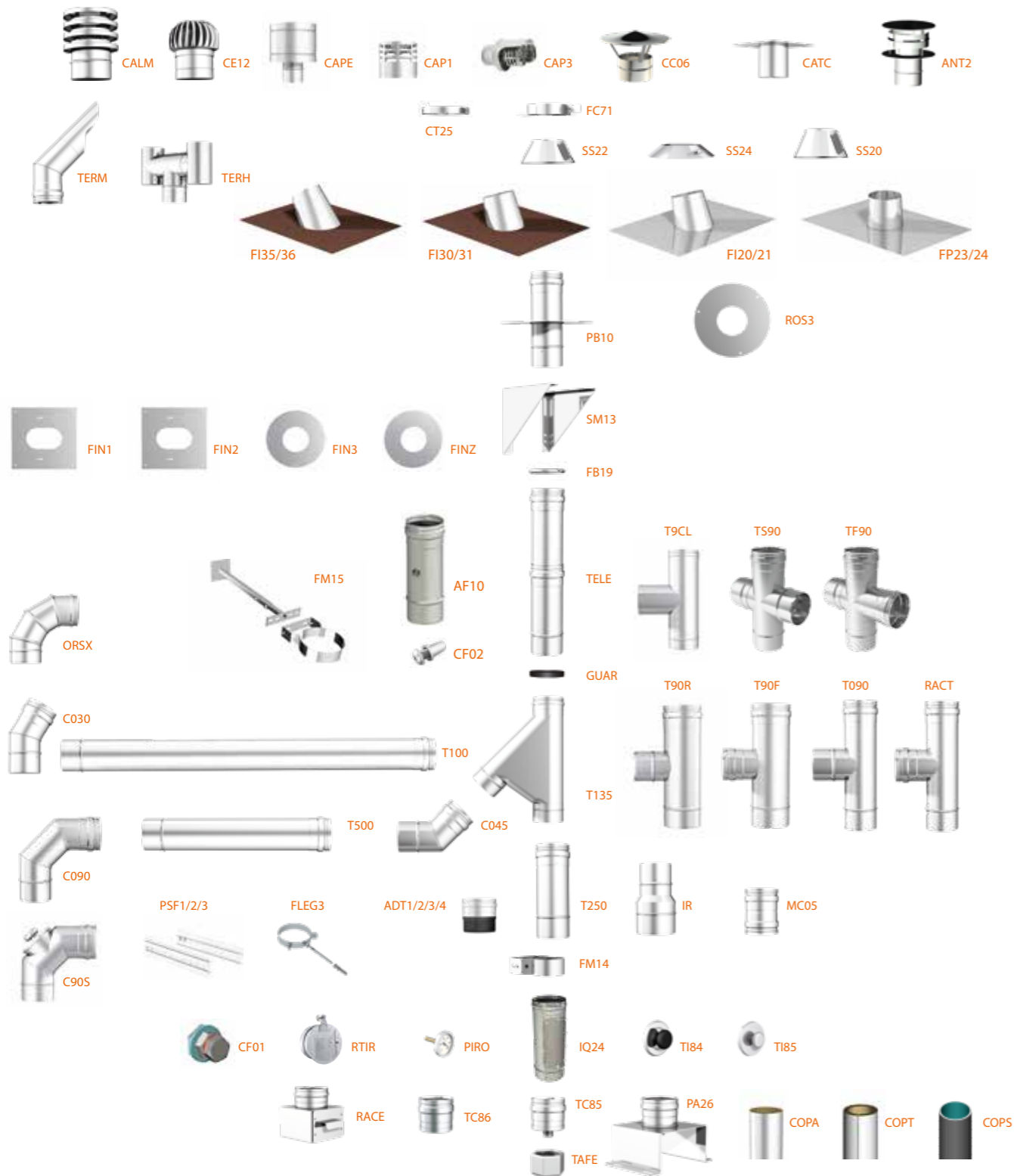


Mono e doppia parete

Schema di montaggio

Assembly scheme

Schéma de montage



Dynamic ONE

Canali da fumo e condotti per uso interno in acciaio inox AISI 316L.

Connecting flue pipes for indoor, made of stainless steel AISI 316L.

Tuyaux de raccordement pour utilisation intérieure en acier inox AISI 316L.

PLUS e CARATTERISTICHE TECNICHE:

- sono adatti come canali da fumo o per intubamento o risanamento di cavedi e vani tecnici esistenti
- spessore 0,5 mm
- temperatura massima d'esercizio 200°C con l'utilizzo di guarnizioni in silicone (fornite in dotazione fino al diam.120 incluso)
- testata G, resistente all'incendio di fuliggine a 1000°C

PLUS and TECHNICAL CHARACTERISTICS:

- they are suitable as connecting flue pipes and for ducting or renovating existing chimneys and technical compartments
- thickness 0.5 mm
- working temperature up to 200°C with the use of silicone gaskets (supplied up to diam.120 included)
- tested G, resistant to soot fire at 1000°C

AVANTAGES et CARACTÉRISTIQUES TECHNIQUES:

- ils sont aptés comme tuyaux de raccordement, au gainage ou à la rénovation de cheminées ou compartiments techniques existants
- épaisseur 0,5 mm
- température de travail jusqu'à 200°C avec l'utilisation de joints silicone (fournis jusqu'au diam. 120 inclus)
- testé G, résistant au feu de suie à 1000°C

T200-P1-W-V2-L50050-O70 con elastomero/with gasket/avec joint
T600-N1-D-V2-L50050-G520M senza elastomero/without gasket/sans joint

Ø disponibili
Ø available
Ø disponibles

da 80 a 400 mm

Finiture disponibili
Available finishes
Finitions disponibles



INOX
STAINLESS STEEL - INOX

CF02 - TAPPO PER ANALISI FUMI M10 - Cap for smoke analysis M10 - Bouchon pour analyse des fumées M10

ISTRUZIONI PER L'USO - Instructions for use - Instructions pour l'utilisation

1

- Con il trapano, praticare sul tubo a 90° un foro da 13 mm
- With a drill, make a 13mm hole on the pipe at 90°
- Avec une perceuse, faire sur le tuyau à 90° un trou de 13mm

2

- Assemblare l'inserto mediante apposita attrezzatura tirainseriti (M10)
- Assemble the insert through a proper riveter equipment (M10)
- Assembler l'insert à travers un équipement riveteuse approprié (M10)

3

- Applicare la vite di chiusura (M10)
- Apply the closing screw
- Appliquer la vis de fermeture (M10)

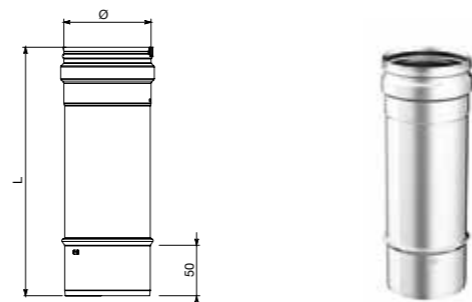


T250

Elemento lineare
Linear element - Élément droit

Finiture disponibili - Available finishes - Finitions disponibles

| F.08 - ACCIAIO INOX STAINLESS STEEL - ACIER INOX | Ø | L | ☐ |
|---|-----|-----|---|
| I080T250 | 80 | 250 | 1 |
| I100T250 | 100 | 250 | 1 |
| I120T250 | 120 | 250 | 1 |
| I130T250 | 130 | 250 | 1 |
| I140T250 | 140 | 250 | 1 |
| I150T250 | 150 | 250 | 1 |
| I160T250 | 160 | 250 | 1 |
| I180T250 | 180 | 250 | 1 |
| I200T250 | 200 | 250 | 1 |
| I220T250 | 220 | 250 | 1 |
| I250T250 | 250 | 250 | 1 |
| I300T250 | 300 | 250 | 1 |
| I350T250 | 350 | 250 | 1 |
| I400T250 | 400 | 250 | 1 |

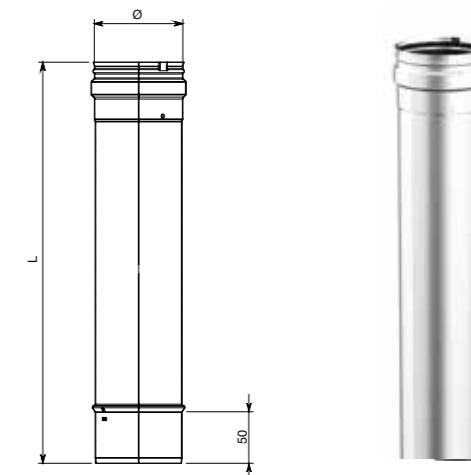


T100

Elemento lineare
Linear element - Élément droit

Finiture disponibili - Available finishes - Finitions disponibles

| F.08 - ACCIAIO INOX STAINLESS STEEL - ACIER INOX | Ø | L | ☐ |
|---|-----|------|---|
| I080T100 | 80 | 1000 | 1 |
| I100T100 | 100 | 1000 | 1 |
| I120T100 | 120 | 1000 | 1 |
| I130T100 | 130 | 1000 | 1 |
| I140T100 | 140 | 1000 | 1 |
| I150T100 | 150 | 1000 | 1 |
| I160T100 | 160 | 1000 | 1 |
| I180T100 | 180 | 1000 | 1 |
| I200T100 | 200 | 1000 | 1 |
| I220T100 | 220 | 1000 | 1 |
| I250T100 | 250 | 1000 | 1 |
| I300T100 | 300 | 1000 | 1 |
| I350T100 | 350 | 1000 | 1 |
| I400T100 | 400 | 1000 | 1 |

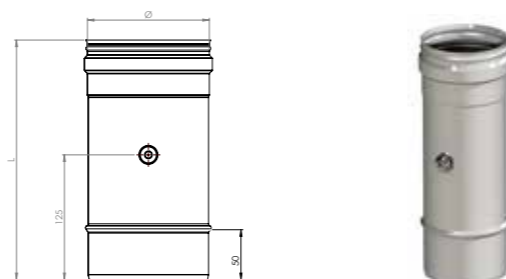


AF10

Elemento lineare completo di analisi fumi M10-gas
Linear element with smoke analysis M10-gas - Élément droit avec analyse des fumées M10-gaz

Finiture disponibili - Available finishes - Finitions disponibles

| F.08 - ACCIAIO INOX STAINLESS STEEL - ACIER INOX | Ø | L | ☐ |
|---|-----|-----|---|
| I080AF10 | 80 | 250 | 1 |
| I100AF10 | 100 | 250 | 1 |
| I120AF10 | 120 | 250 | 1 |
| I130AF10 | 130 | 250 | 1 |
| I140AF10 | 140 | 250 | 1 |
| I150AF10 | 150 | 250 | 1 |
| I160AF10 | 160 | 250 | 1 |
| I180AF10 | 180 | 250 | 1 |
| I200AF10 | 200 | 250 | 1 |
| I220AF10 | 220 | 250 | 1 |
| I250AF10 | 250 | 250 | 1 |
| I300AF10 | 300 | 250 | 1 |
| I350AF10 | 350 | 250 | 1 |
| I400AF10 | 400 | 250 | 1 |

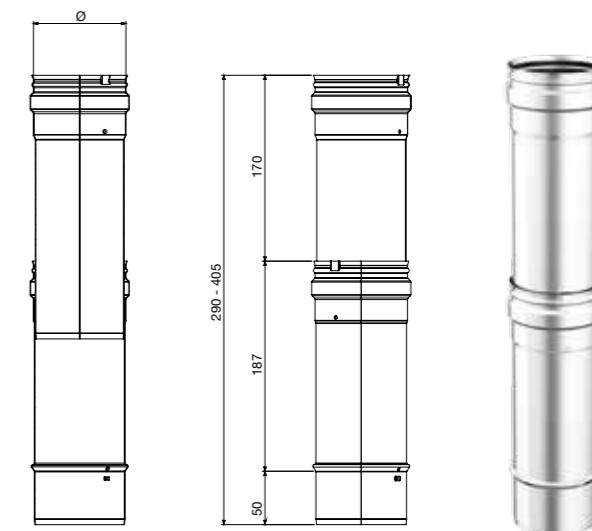


TELE

Elemento telescopico
Telescopic element - Élément télescopique

Finiture disponibili - Available finishes - Finitions disponibles

| F.08 - ACCIAIO INOX STAINLESS STEEL - ACIER INOX | Ø | ☐ |
|---|-----|---|
| I080TELE | 80 | 1 |
| I100TELE | 100 | 1 |
| I120TELE | 120 | 1 |
| I130TELE | 130 | 1 |
| I140TELE | 140 | 1 |
| I150TELE | 150 | 1 |
| I160TELE | 160 | 1 |
| I180TELE | 180 | 1 |
| I200TELE | 200 | 1 |
| I220TELE | 220 | 1 |
| I250TELE | 250 | 1 |
| I300TELE | 300 | 1 |
| I350TELE | 350 | 1 |
| I400TELE | 400 | 1 |

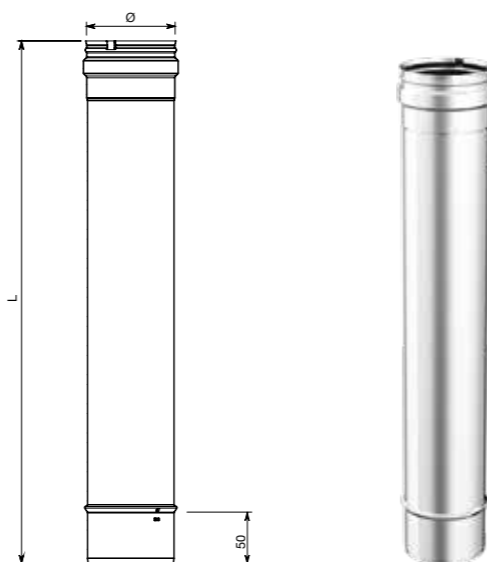


T500

Elemento lineare
Linear element - Élément droit

Finiture disponibili - Available finishes - Finitions disponibles

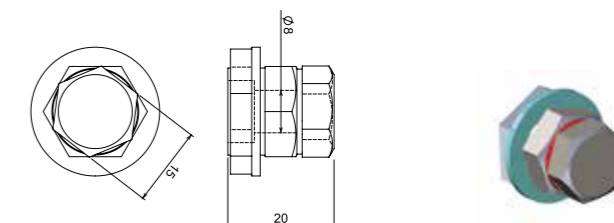
| F.08 - ACCIAIO INOX STAINLESS STEEL - ACIER INOX | Ø | L | ☐ |
|---|-----|-----|---|
| I080T500 | 80 | 500 | 1 |
| I100T500 | 100 | 500 | 1 |
| I120T500 | 120 | 500 | 1 |
| I130T500 | 130 | 500 | 1 |
| I140T500 | 140 | 500 | 1 |
| I150T500 | 150 | 500 | 1 |
| I160T500 | 160 | 500 | 1 |
| I180T500 | 180 | 500 | 1 |
| I200T500 | 200 | 500 | 1 |
| I220T500 | 220 | 500 | 1 |
| I250T500 | 250 | 500 | 1 |
| I300T500 | 300 | 500 | 1 |
| I350T500 | 350 | 500 | 1 |
| I400T500 | 400 | 500 | 1 |



CF01

Tappo per analisi fumi
Fumes analyser cap - Buchon pour l'analyse des fumées

| CODICE CODE - CODE | ☐ |
|-----------------------|---|
| IUNVCF01 | 1 |



CF02

Tappo per analisi fumi M10
Cap for smoke analysis M10 - Bouchon pour analyse des fumées M10

| CODICE CODE - CODE | ☐ |
|-----------------------|---|
| IUNVCF02 | |



Istruzioni per l'uso a pagina 116 - Instructions for use on page 116 - Instructions pour l'utilisation à la page 116



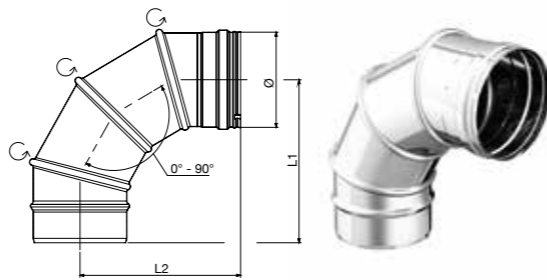
ORSX

Curva orientabile 0-90°
Revolving bend 0-90° - Coude orientable 0-90°

Finiture disponibili - Available finishes - Finitions disponibles

| F.08 - ACCIAIO INOX STAINLESS STEEL - ACIER INOX | Ø | L1 | L2 | |
|---|-----|-----|-----|---|
| I080ORSX | 80 | 135 | 150 | 1 |
| I100ORSX | 100 | 140 | 155 | 1 |
| I120ORSX | 120 | 165 | 175 | 1 |
| I130ORSX | 130 | 175 | 190 | 1 |
| I140ORSX | 140 | 185 | 197 | 1 |
| I150ORSX | 150 | 190 | 205 | 1 |
| I160ORSX | 160 | 200 | 213 | 1 |
| I180ORSX | 180 | 210 | 225 | 1 |
| I200ORSX | 200 | 230 | 245 | 1 |
| I250ORSX | 250 | 245 | 265 | 1 |
| I300ORSX | 300 | 300 | 320 | 1 |

Elemento non certificato per l'intubamento in pressione positiva P1. È sconsigliato l'utilizzo per assemblare cammini destinati ad asservire generatori a condensazione.
This element is not certified for relining under positive pressure P1. Do not use this element in flue systems serving condensate generators.
Cet élément n'est pas certifié pour assemblages sous pression positive P1. Ne pas utiliser cet élément pour installer conduits de fumée destinés à servir générateurs à condensation.

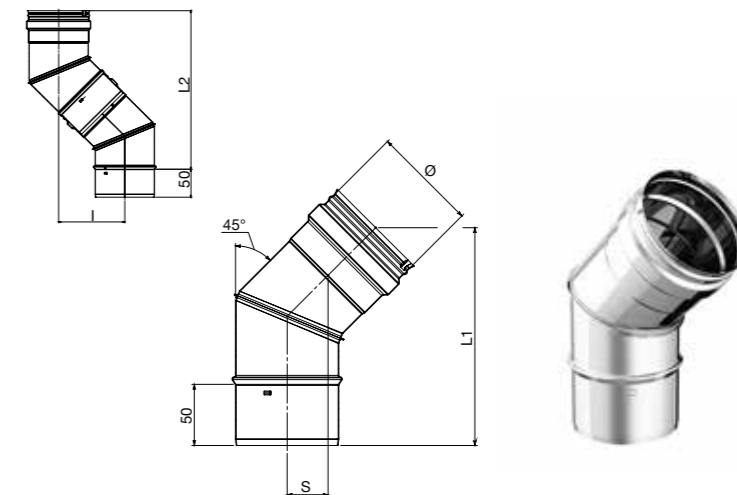


C045

Curva a 45°
45° Bend - Coude 45°

Finiture disponibili - Available finishes - Finitions disponibles

| F.08 - ACCIAIO INOX STAINLESS STEEL - ACIER INOX | Ø | L1 | L2 | S | I | |
|---|-----|-----|-----|----|-----|---|
| I080C045 | 80 | 170 | 256 | 32 | 105 | 1 |
| I100C045 | 100 | 176 | 270 | 35 | 112 | 1 |
| I120C045 | 120 | 184 | 285 | 38 | 118 | 1 |
| I130C045 | 130 | 190 | 297 | 40 | 123 | 1 |
| I140C045 | 140 | 192 | 302 | 41 | 125 | 1 |
| I150C045 | 150 | 195 | 307 | 42 | 127 | 1 |
| I160C045 | 160 | 200 | 314 | 45 | 130 | 1 |
| I180C045 | 180 | 205 | 328 | 47 | 136 | 1 |
| I200C045 | 200 | 215 | 341 | 49 | 141 | 1 |
| I220C045 | 220 | 220 | 343 | 51 | 142 | 1 |
| I250C045 | 250 | 230 | 370 | 57 | 147 | 1 |
| I300C045 | 300 | 248 | 407 | 64 | 162 | 1 |
| I350C045 | 350 | 265 | 441 | 72 | 176 | 1 |
| I400C045 | 400 | 212 | 460 | 49 | 184 | 1 |

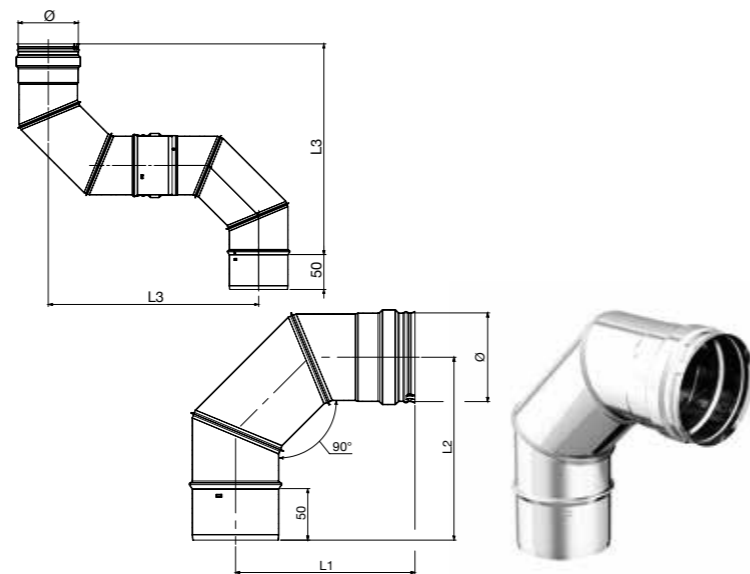


C090

Curva a 90°
90° Bend - Coude 90°

Finiture disponibili - Available finishes - Finitions disponibles

| F.08 - ACCIAIO INOX STAINLESS STEEL - ACIER INOX | Ø | L1 | L2 | L3 | |
|---|-----|-----|-----|-----|---|
| I080C090 | 80 | 166 | 169 | 288 | 1 |
| I100C090 | 100 | 176 | 179 | 307 | 1 |
| I120C090 | 120 | 186 | 189 | 327 | 1 |
| I130C090 | 130 | 193 | 196 | 340 | 1 |
| I140C090 | 140 | 196 | 199 | 349 | 1 |
| I150C090 | 150 | 201 | 204 | 358 | 1 |
| I160C090 | 160 | 206 | 209 | 368 | 1 |
| I180C090 | 180 | 216 | 219 | 388 | 1 |
| I200C090 | 200 | 226 | 229 | 408 | 1 |
| I220C090 | 220 | 236 | 239 | 428 | 1 |
| I250C090 | 250 | 251 | 254 | 458 | 1 |
| I300C090 | 300 | 276 | 279 | 508 | 1 |
| I350C090 | 350 | 301 | 304 | 558 | 1 |
| I400C090 | 400 | 302 | 305 | 558 | 1 |

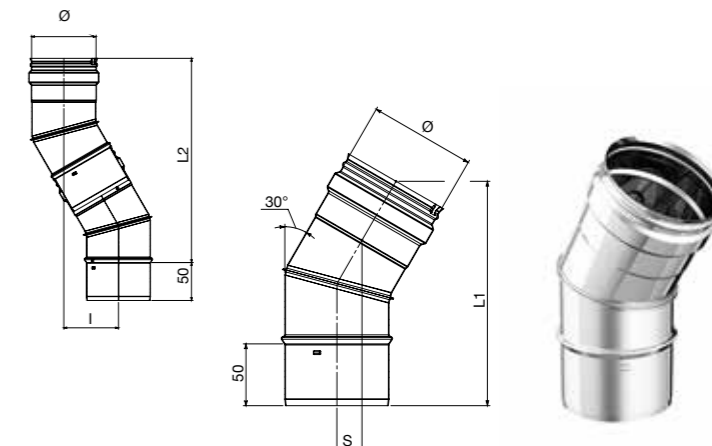


C030

Curva a 30°
30° Bend - Coude 30°

Finiture disponibili - Available finishes - Finitions disponibles

| F.08 - ACCIAIO INOX STAINLESS STEEL - ACIER INOX | Ø | L1 | L2 | S | I | |
|---|-----|-----|-----|----|-----|---|
| I080C030 | 80 | 174 | 257 | 19 | 69 | 1 |
| I100C030 | 100 | 178 | 267 | 21 | 71 | 1 |
| I120C030 | 120 | 183 | 277 | 22 | 74 | 1 |
| I130C030 | 130 | 186 | 281 | 23 | 75 | 1 |
| I140C030 | 140 | 188 | 285 | 23 | 77 | 1 |
| I150C030 | 150 | 191 | 292 | 24 | 78 | 1 |
| I160C030 | 160 | 193 | 296 | 25 | 79 | 1 |
| I180C030 | 180 | 198 | 306 | 26 | 82 | 1 |
| I200C030 | 200 | 203 | 316 | 27 | 84 | 1 |
| I220C030 | 220 | 208 | 326 | 29 | 86 | 1 |
| I250C030 | 250 | 216 | 341 | 31 | 91 | 1 |
| I300C030 | 300 | 228 | 366 | 34 | 98 | 1 |
| I350C030 | 350 | 241 | 392 | 38 | 105 | 1 |
| I400C030 | 400 | 253 | 404 | 43 | 108 | 1 |

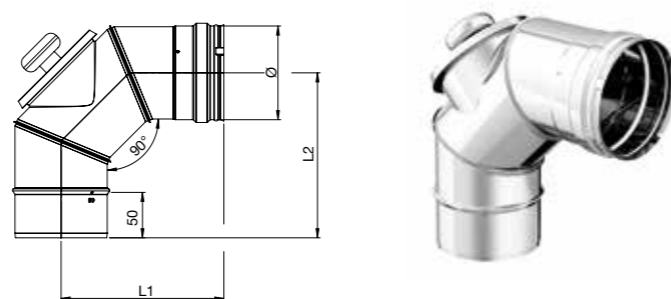


C90S

Curva a 90° con ispezione
90° Bend with inspection - Coude 90° avec trappe de visite

Finiture disponibili - Available finishes - Finitions disponibles

| F.08 - ACCIAIO INOX STAINLESS STEEL - ACIER INOX | Ø | L1 | L2 | |
|---|-----|-----|-----|---|
| I080C90S | 80 | 166 | 169 | 1 |
| I100C90S | 100 | 176 | 179 | 1 |
| I130C90S | 130 | 193 | 196 | 1 |
| I150C90S | 150 | 201 | 204 | 1 |
| I180C90S | 180 | 216 | 219 | 1 |
| I200C90S | 200 | 226 | 229 | 1 |
| I250C90S | 250 | 251 | 254 | 1 |
| I300C90S | 300 | 276 | 279 | 1 |



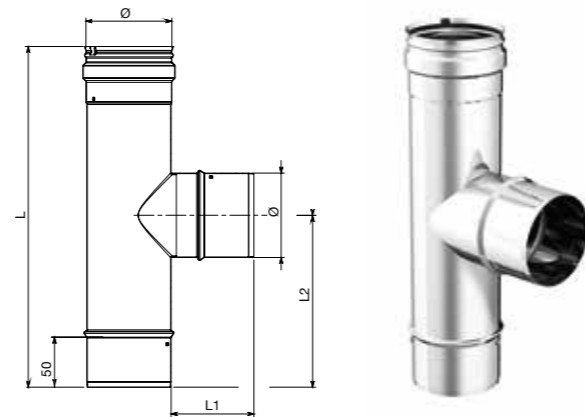


T090

Raccordo a "T" 90° maschio-femmina
90° Tee pipe fitting male-female - Té 90° mâle-femelle

Finiture disponibili - Available finishes - Finitions disponibles

| F.08 - ACCIAIO INOX STAINLESS STEEL - ACIER INOX | Ø | L | L1 | L2 | ☐ |
|---|-----|-----|----|-----|---|
| I080T090 | 80 | 245 | 80 | 124 | 1 |
| I100T090 | 100 | 245 | 80 | 124 | 1 |
| I120T090 | 120 | 325 | 80 | 164 | 1 |
| I130T090 | 130 | 325 | 80 | 164 | 1 |
| I140T090 | 140 | 325 | 80 | 164 | 1 |
| I150T090 | 150 | 495 | 80 | 249 | 1 |
| I160T090 | 160 | 325 | 80 | 199 | 1 |
| I180T090 | 180 | 495 | 80 | 249 | 1 |
| I200T090 | 200 | 495 | 80 | 249 | 1 |
| I220T090 | 220 | 495 | 80 | 249 | 1 |
| I250T090 | 250 | 495 | 80 | 249 | 1 |
| I300T090 | 300 | 495 | 80 | 249 | 1 |
| I350T090 | 350 | 545 | 80 | 274 | 1 |
| I400T090 | 400 | 595 | 80 | 299 | 1 |

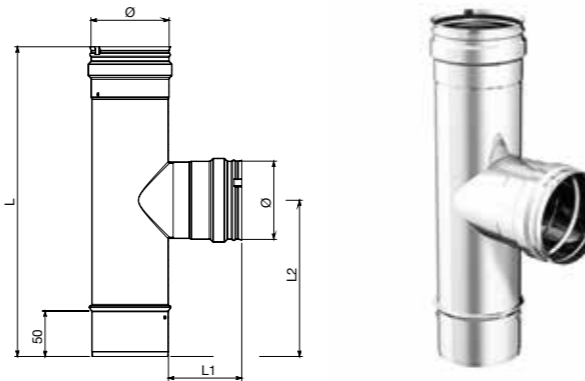


RACT

Raccordo a "T" 90° femmina-femmina
90° Tee pipe fitting female-female - Té 90° femelle-femelle

Finiture disponibili - Available finishes - Finitions disponibles

| F.08 - ACCIAIO INOX STAINLESS STEEL - ACIER INOX | Ø | L | L1 | L2 | ☐ |
|---|-----|-----|----|-----|---|
| I080RACT | 80 | 245 | 77 | 124 | 1 |
| I100RACT | 100 | 245 | 77 | 124 | 1 |
| I120RACT | 120 | 325 | 77 | 164 | 1 |
| I130RACT | 130 | 325 | 77 | 164 | 1 |
| I140RACT | 140 | 325 | 77 | 164 | 1 |
| I150RACT | 150 | 495 | 77 | 249 | 1 |
| I160RACT | 160 | 325 | 77 | 199 | 1 |
| I180RACT | 180 | 495 | 77 | 249 | 1 |
| I200RACT | 200 | 495 | 77 | 249 | 1 |
| I220RACT | 220 | 495 | 77 | 249 | 1 |
| I250RACT | 250 | 495 | 77 | 249 | 1 |
| I300RACT | 300 | 495 | 77 | 249 | 1 |
| I350RACT | 350 | 495 | 77 | 274 | 1 |
| I400RACT | 400 | 595 | 77 | 299 | 1 |

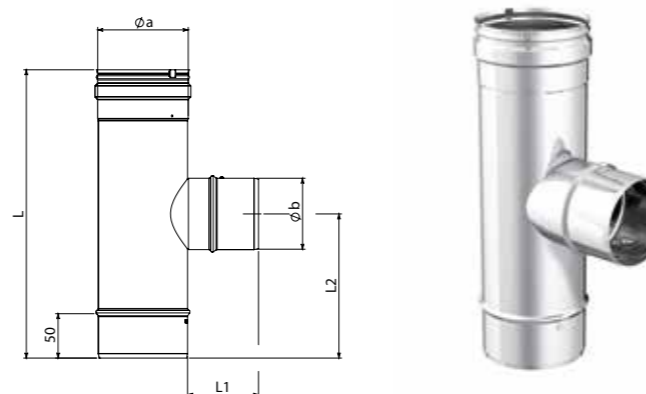


T90R

Raccordo a "T" 90° ridotto Ø 80 maschio
90° Tee pipe fitting reduced Ø 80 male - Té 90° réduit Ø 80 mâle

Finiture disponibili - Available finishes - Finitions disponibles

| F.08 - ACCIAIO INOX STAINLESS STEEL - ACIER INOX | Øa | Øb | L | L1 | L2 | ☐ |
|---|-----|----|-----|----|-----|---|
| I100T90R | 100 | 80 | 325 | 80 | 164 | 1 |
| I120T90R | 120 | 80 | 325 | 80 | 164 | 1 |
| I130T90R | 130 | 80 | 325 | 80 | 164 | 1 |
| I140T90R | 140 | 80 | 325 | 80 | 164 | 1 |
| I150T90R | 150 | 80 | 495 | 80 | 249 | 1 |
| I160T90R | 160 | 80 | 325 | 80 | 199 | 1 |
| I180T90R | 180 | 80 | 495 | 80 | 249 | 1 |
| I200T90R | 200 | 80 | 495 | 80 | 249 | 1 |
| I220T90R | 220 | 80 | 495 | 80 | 249 | 1 |
| I250T90R | 250 | 80 | 495 | 80 | 249 | 1 |
| I300T90R | 300 | 80 | 495 | 80 | 249 | 1 |
| I350T90R | 350 | 80 | 545 | 80 | 274 | 1 |
| I400T90R | 400 | 80 | 325 | 80 | 164 | 1 |

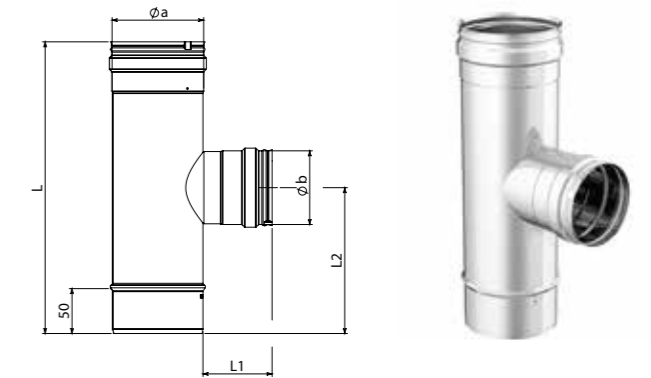


T90F

Raccordo a "T" 90° ridotto Ø 80 femmina
90° Tee pipe fitting reduced Ø 80 female - Té 90° réduit Ø 80 femelle

Finiture disponibili - Available finishes - Finitions disponibles

| F.08 - ACCIAIO INOX STAINLESS STEEL - ACIER INOX | Øa | Øb | L | L1 | L2 | ☐ |
|---|-----|----|-----|----|-----|---|
| I100T90F | 100 | 80 | 325 | 80 | 164 | 1 |
| I120T90F | 120 | 80 | 325 | 80 | 164 | 1 |
| I130T90F | 130 | 80 | 325 | 80 | 164 | 1 |
| I140T90F | 140 | 80 | 325 | 80 | 164 | 1 |
| I150T90F | 150 | 80 | 495 | 80 | 249 | 1 |
| I160T90F | 160 | 80 | 325 | 80 | 199 | 1 |
| I180T90F | 180 | 80 | 495 | 80 | 249 | 1 |
| I200T90F | 200 | 80 | 495 | 80 | 249 | 1 |
| I220T90F | 220 | 80 | 495 | 80 | 249 | 1 |
| I250T90F | 250 | 80 | 495 | 80 | 249 | 1 |
| I300T90F | 300 | 80 | 495 | 80 | 249 | 1 |
| I350T90F | 350 | 80 | 545 | 80 | 274 | 1 |
| I400T90F | 400 | 80 | 325 | 80 | 164 | 1 |



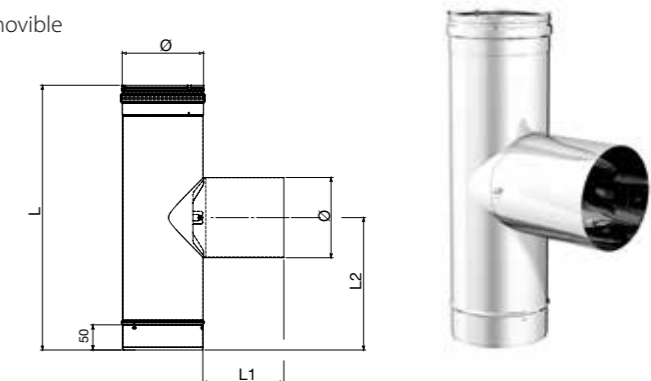
Si realizzano raccordi a T speciali su richiesta. Vedi pag. 141.
Special Tee pipe fittings are made on request. See pag. 141.
On produit raccords Té spéciaux sur demande. Voir page 141.

T9CL

Raccordo a "T" 90° con stacco removibile
90° Tee pipe fitting with removable coupler - Té 90° avec débouchure amovible

Finiture disponibili - Available finishes - Finitions disponibles

| F.08 - ACCIAIO INOX STAINLESS STEEL - ACIER INOX | Ø | L | L1 | L2 | ☐ |
|---|-----|-----|-----|-----|---|
| I080T9CL | 80 | 245 | 150 | 124 | 1 |
| I100T9CL | 100 | 325 | 150 | 164 | 1 |
| I130T9CL | 130 | 325 | 150 | 164 | 1 |
| I150T9CL | 150 | 495 | 150 | 249 | 1 |
| I180T9CL | 180 | 495 | 150 | 249 | 1 |
| I200T9CL | 200 | 495 | 150 | 249 | 1 |
| I250T9CL | 250 | 495 | 150 | 249 | 1 |
| I300T9CL | 300 | 495 | 150 | 249 | 1 |



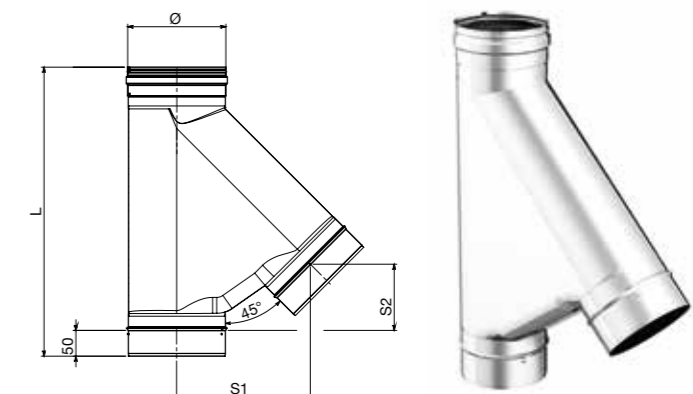
L'articolo T9CL garantisce una classe di tenuta N1 (40 Pa) - The item T9CL ensures tightness class N1 (40 Pa) - L'élément T9CL garantit une classe d'étanchéité N1 (40 Pa)
Nella parte dello stacco removibile è compatibile con Dynamic One femmina, Linea Pellet femmina, Linea Pellet Superior femmina - The removable couple is compatible with the female part of Dynamic One, Pellet and Pellet Superior - La débouchure amovible est compatible avec la partie femelle des gammes Dynamic One, Pellet et Pellet Superior

T135

Raccordo a "T" 135° maschio-femmina
135° Tee pipe fitting male-female - Té 135° mâle-femelle

Finiture disponibili - Available finishes - Finitions disponibles

| F.08 - ACCIAIO INOX STAINLESS STEEL - ACIER INOX | Ø | L | S1 | S2 | ☐ |
|---|-----|-----|-----|-----|---|
| I080T135 | 80 | 400 | 150 | 80 | 1 |
| I100T135 | 100 | 450 | 170 | 95 | 1 |
| I120T135 | 120 | 450 | 170 | 95 | 1 |
| I130T135 | 130 | 480 | 190 | 100 | 1 |
| I140T135 | 140 | 480 | 195 | 105 | 1 |
| I150T135 | 150 | 510 | 205 | 110 | 1 |
| I160T135 | 160 | 520 | 210 | 110 | 1 |
| I180T135 | 180 | 550 | 230 | 120 | 1 |
| I200T135 | 200 | 580 | 250 | 130 | 1 |
| I220T135 | 220 | 610 | 265 | 140 | 1 |
| I250T135 | 250 | 650 | 290 | 150 | 1 |
| I300T135 | 300 | 720 | 335 | 165 | 1 |
| I350T135 | 350 | 790 | 380 | 185 | 1 |
| I400T135 | 400 | 860 | 420 | 200 | 1 |

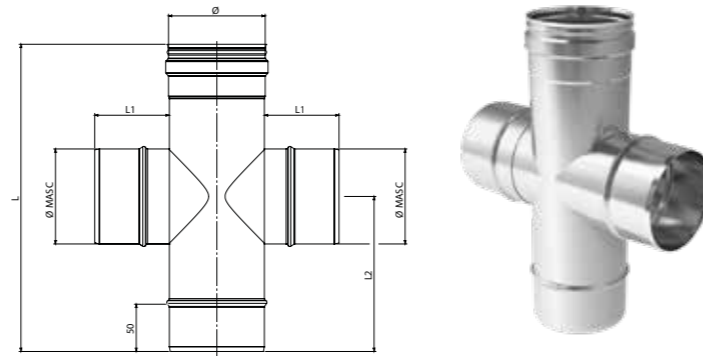


TS90

Raccordo a "T" 90° maschio-femmina con ispezione
90° Tee pipe fitting male-female with inspection
Té 90° mâle-femelle avec trappe de visite

Finiture disponibili - Available finishes - Finitions disponibles

| F.08 - ACCIAIO INOX STAINLESS STEEL - ACIER INOX | Ø | L | L1 | L2 | 📦 |
|---|-----|-----|----|-----|---|
| I080TS90 | 80 | 325 | 79 | 164 | 1 |
| I100TS90 | 100 | 325 | 79 | 164 | 1 |
| I130TS90 | 130 | 325 | 79 | 164 | 1 |
| I150TS90 | 150 | 495 | 79 | 249 | 1 |
| I180TS90 | 180 | 495 | 79 | 249 | 1 |
| I200TS90 | 200 | 495 | 79 | 249 | 1 |
| I250TS90 | 250 | 495 | 79 | 249 | 1 |
| I300TS90 | 300 | 495 | 79 | 249 | 1 |



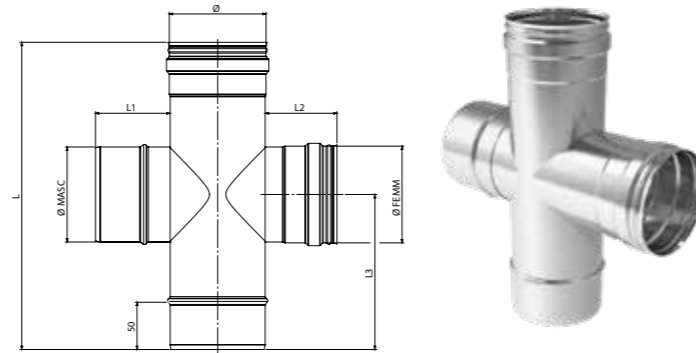
Compatibile con tappi per ispezione TI84 e TI85 (non incluso) - Compatible with plugs for inspection TI84 and TI85 (not included) - Compatible avec les bouchons TI84 et TI85 (non inclus)

TF90

Raccordo a "T" 90° femmina-femmina con ispezione
90° Tee pipe fitting female-female with inspection
Té 90° femelle-femelle avec trappe de visite

Finiture disponibili - Available finishes - Finitions disponibles

| F.08 - ACCIAIO INOX STAINLESS STEEL - ACIER INOX | Ø | L | L1 | L2 | L3 | 📦 |
|---|-----|-----|----|----|-----|---|
| I080TF90 | 80 | 325 | 76 | 79 | 164 | 1 |
| I100TF90 | 100 | 325 | 76 | 79 | 164 | 1 |
| I130TF90 | 130 | 325 | 76 | 79 | 164 | 1 |
| I150TF90 | 150 | 495 | 76 | 79 | 249 | 1 |
| I180TF90 | 180 | 495 | 76 | 79 | 249 | 1 |
| I200TF90 | 200 | 495 | 76 | 79 | 249 | 1 |
| I250TF90 | 250 | 495 | 76 | 79 | 249 | 1 |
| I300TF90 | 300 | 495 | 76 | 79 | 249 | 1 |



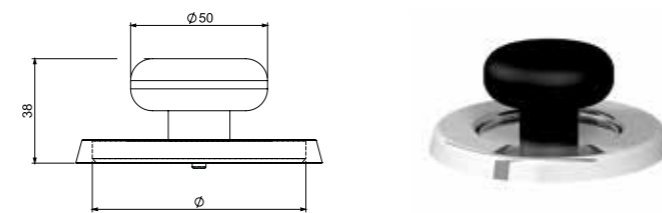
Compatibile con il tappo per ispezione TI84 (non incluso) - Compatible with plug for inspection TI84 (not included) - Compatible avec le bouchon TI84 (non inclus)

TI84

Tappo per ispezione
Plug for inspection - Bouchon pour trappe de visite

Finiture disponibili - Available finishes - Finitions disponibles

| F.08 - ACCIAIO INOX STAINLESS STEEL - ACIER INOX | Ø | 📦 |
|---|-----|---|
| I080TI84 | 80 | 1 |
| I100TI84 | 100 | 1 |
| I120TI84 | 120 | 1 |
| I130TI84 | 130 | 1 |
| I140TI84 | 140 | 1 |
| I150TI84 | 150 | 1 |
| I160TI84 | 160 | 1 |
| I180TI84 | 180 | 1 |
| I200TI84 | 200 | 1 |
| I250TI84 | 250 | 1 |
| I300TI84 | 300 | 1 |



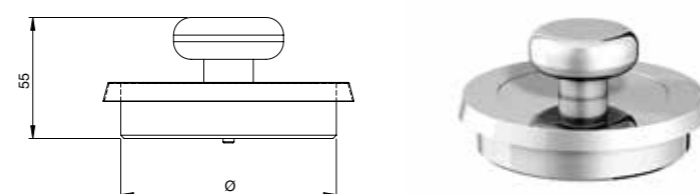
Da applicare su T090 e RACT - To apply on T090 and RACT - Appliquer à T090 et RACT

TI85

Tappo per ispezione con pomolo in acciaio
Plug for inspection with steel knob - Bouchon pour trappe de visite avec poignée en acier

Finiture disponibili - Available finishes - Finitions disponibles

| F.08 - ACCIAIO INOX STAINLESS STEEL - ACIER INOX | Ø | 📦 |
|---|-----|---|
| I080TI85 | 80 | 1 |
| I100TI85 | 100 | 1 |
| I120TI85 | 120 | 1 |
| I130TI85 | 130 | 1 |
| I150TI85 | 150 | 1 |
| I180TI85 | 180 | 1 |
| I200TI85 | 200 | 1 |
| I250TI85 | 250 | 1 |
| I300TI85 | 300 | 1 |



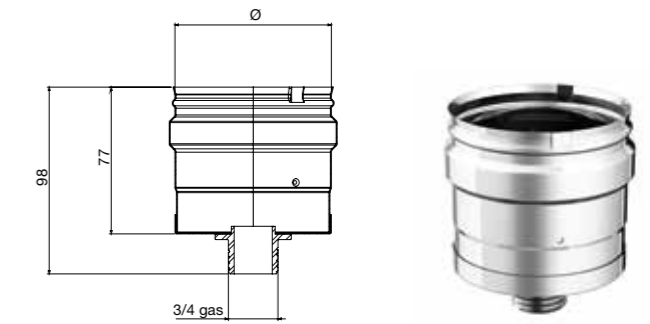
Da applicare su T090, TS90 e C905 - To apply on T090, TS90 and C905 - Appliquer à T090, TS90 et C905

TC85

Tappo raccogli condensa
Drain tee cap - Tampon purge

Finiture disponibili - Available finishes - Finitions disponibles

| F.08 - ACCIAIO INOX STAINLESS STEEL - ACIER INOX | Ø | 📦 |
|---|-----|---|
| I080TC85 | 80 | 1 |
| I100TC85 | 100 | 1 |
| I120TC85 | 120 | 1 |
| I130TC85 | 130 | 1 |
| I140TC85 | 140 | 1 |
| I150TC85 | 150 | 1 |
| I160TC85 | 160 | 1 |
| I180TC85 | 180 | 1 |
| I200TC85 | 200 | 1 |
| I220TC85 | 220 | 1 |
| I250TC85 | 250 | 1 |
| I300TC85 | 300 | 1 |
| I350TC85 | 350 | 1 |
| I400TC85 | 400 | 1 |



TC86

Tappo cieco raccogli condensa
Blind tee cap - Tampon sans purge

Finiture disponibili - Available finishes - Finitions disponibles

| F.08 - ACCIAIO INOX STAINLESS STEEL - ACIER INOX | Ø | 📦 |
|---|-----|---|
| I080TC86 | 80 | 1 |
| I100TC86 | 100 | 1 |
| I120TC86 | 120 | 1 |
| I130TC86 | 130 | 1 |
| I140TC86 | 140 | 1 |
| I150TC86 | 150 | 1 |
| I160TC86 | 160 | 1 |
| I180TC86 | 180 | 1 |
| I200TC86 | 200 | 1 |
| I250TC86 | 250 | 1 |

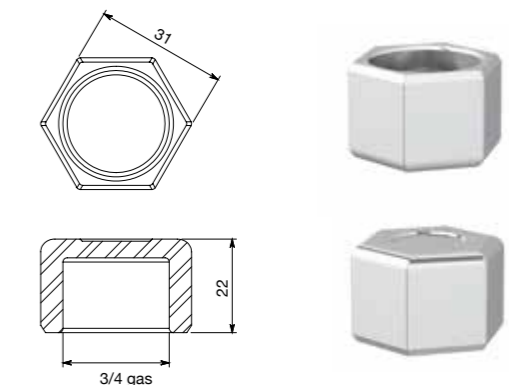


TAFE

Tappo femmina AISI 316 3/4 gas
Female drain plug AISI 316 3/4 gas
Bouchon de purge femelle AISI 316 3/4 gas

Finiture disponibili - Available finishes - Finitions disponibles

| F.08 - ACCIAIO INOX STAINLESS STEEL - ACIER INOX | 📦 |
|---|---|
| IUNVTAFE | 1 |



RTIR

Regolatore di tiraggio automatico
Automatic air draught regulator - Régulateur de tirage automatique

Finiture disponibili - Available finishes - Finitions disponibles

| F.08 - ACCIAIO INOX STAINLESS STEEL - ACIER INOX | Ø | 📦 |
|---|-----|---|
| I100RTIR | 100 | 1 |
| I130RTIR | 130 | 1 |
| I150RTIR | 150 | 1 |
| I180RTIR | 180 | 1 |

Da applicare su RACT e T90F ridotto con stacco a scelta
To apply on reduced RACT and T90F with coupler at choice
Appliquer à RACT et T90F réduits avec débouchure au choix



Serve per stabilizzare e regolare il tiraggio della canna fumaria attraverso l'immissione di aria dall'ambiente d'installazione o dall'esterno, conforme d-legs. 152/06, UNI 7129, UNI EN1443, UNI 10683 ecc. I regolatori di tiraggio sono utilizzabili anche come apertura automatica della ventilazione 3 Pa. / It is useful to stabilize and adjust the draft of the chimney through the release of air from the installation environment or from outside, in accordance with d-legs. 152/06, UNI 7129, UNI EN1443, UNI 10683 etc. The draught regulators are also used as automatic opening of ventilation 3 Pa. / Il sert à stabiliser et à régler le tirage du conduit de fumée, par l'introduction d'air de l'ambiance d'installation ou de l'externe, en conformité avec le d-legs. 152/06, UNI 7129, UNI EN1443, UNI 10683 etc. Les régulateurs de tirage sont également utilisés comme ouverture automatique de la ventilation 3 Pa.



IQ24

Modulo raccolta incombusti

Unburnt materials collecting module - Module recueil suies

Finiture disponibili - Available finishes - Finitions disponibles

| F.08 - ACCIAIO INOX STAINLESS STEEL - ACIER INOX | Ø | L | |
|---|-----|-----|---|
| I120IQ24 | 120 | 395 | 1 |
| I130IQ24 | 130 | 395 | 1 |
| I140IQ24 | 140 | 395 | 1 |
| I150IQ24 | 150 | 395 | 1 |
| I160IQ24 | 160 | 395 | 1 |
| I180IQ24 | 180 | 395 | 1 |
| I200IQ24 | 200 | 395 | 1 |
| I250IQ24 | 250 | 395 | 1 |
| I300IQ24 | 300 | 395 | 1 |
| I350IQ24 | 350 | 395 | 1 |



PIRO

Pirometro

Pyrometer - Pyromètre

| CODICE CODE - CODE | |
|-----------------------|---|
| IUNVPIRO | 1 |



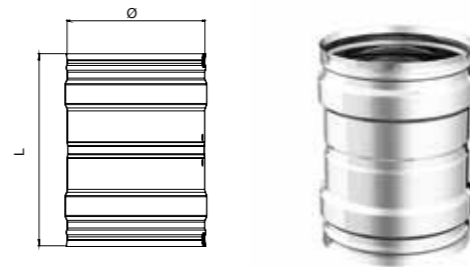
MC05

Manicotto femmina-femmina

Muff female-female - Manchon femelle-femelle

Finiture disponibili - Available finishes - Finitions disponibles

| F.08 - ACCIAIO INOX STAINLESS STEEL - ACIER INOX | Ø | L | |
|---|-----|-----|---|
| I080MC05 | 80 | 115 | 1 |
| I100MC05 | 100 | 115 | 1 |
| I120MC05 | 120 | 115 | 1 |
| I130MC05 | 130 | 115 | 1 |
| I140MC05 | 140 | 115 | 1 |
| I150MC05 | 150 | 115 | 1 |
| I160MC05 | 160 | 115 | 1 |
| I180MC05 | 180 | 115 | 1 |
| I200MC05 | 200 | 115 | 1 |
| I220MC05 | 220 | 115 | 1 |
| I250MC05 | 250 | 115 | 1 |
| I300MC05 | 300 | 115 | 1 |
| I350MC05 | 350 | 115 | 1 |
| I400MC05 | 400 | 115 | 1 |



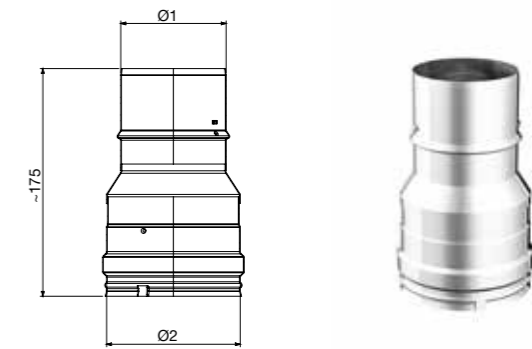
IR M/F

Riduttore maggioratore maschio-femmina

Reducer enlarger male-female - Réduction augmentation mâle-femelle

Finiture disponibili - Available finishes - Finitions disponibles

| F.08 - ACCIAIO INOX STAINLESS STEEL - ACIER INOX | Ø1 | Ø2 | |
|---|-------|-------|---|
| IR080M100F | 80 M | 100 F | 1 |
| IR080M120F | 80 M | 120 F | 1 |
| IR080M130F | 80 M | 130 F | 1 |
| IR080M140F | 80 M | 140 F | 1 |
| IR080M150F | 80 M | 150 F | 1 |
| IR080M160F | 80 M | 160 F | 1 |
| IR100M120F | 100 M | 120 F | 1 |
| IR100M130F | 100 M | 130 F | 1 |
| IR100M140F | 100 M | 140 F | 1 |
| IR100M150F | 100 M | 150 F | 1 |
| IR100M160F | 100 M | 160 F | 1 |
| IR120M130F | 120 M | 130 F | 1 |
| IR120M140F | 120 M | 140 F | 1 |
| IR120M150F | 120 M | 150 F | 1 |
| IR120M160F | 120 M | 160 F | 1 |
| IR120M180F | 120 M | 180 F | 1 |
| IR130M140F | 130 M | 140 F | 1 |
| IR130M150F | 130 M | 150 F | 1 |
| IR130M160F | 130 M | 160 F | 1 |
| IR130M180F | 130 M | 180 F | 1 |
| IR140M150F | 140 M | 150 F | 1 |
| IR140M160F | 140 M | 160 F | 1 |
| IR140M180F | 140 M | 180 F | 1 |
| IR140M200F | 140 M | 200 F | 1 |
| IR150M160F | 150 M | 160 F | 1 |
| IR150M180F | 150 M | 180 F | 1 |
| IR150M200F | 150 M | 200 F | 1 |
| IR160M180F | 160 M | 180 F | 1 |
| IR160M200F | 160 M | 200 F | 1 |
| IR180M200F | 180 M | 200 F | 1 |
| IR180M250F | 180 M | 250 F | 1 |
| IR200M250F | 200 M | 250 F | 1 |
| IR200M300F | 200 M | 300 F | 1 |
| IR250M300F | 250 M | 300 F | 1 |
| IR300M350F | 300 M | 350 F | 1 |



M - maschio male mâle / F - femmina female femelle

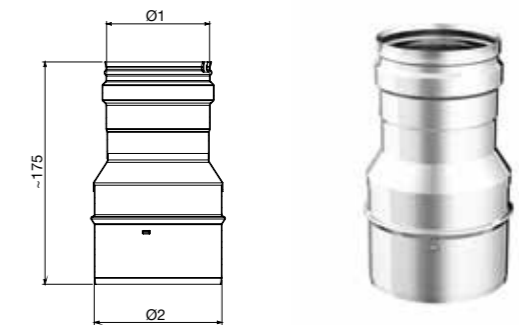
IR F/M

Riduttore maggioratore femmina-maschio

Reducer enlarger female-male - Réduction augmentation femelle-mâle

Finiture disponibili - Available finishes - Finitions disponibles

| F.08 - ACCIAIO INOX STAINLESS STEEL - ACIER INOX | Ø1 | Ø2 | |
|---|-------|-------|---|
| IR080F100M | 80 F | 100 M | 1 |
| IR080F120M | 80 F | 120 M | 1 |
| IR080F130M | 80 F | 130 M | 1 |
| IR080F140M | 80 F | 140 M | 1 |
| IR080F150M | 80 F | 150 M | 1 |
| IR080F160M | 80 F | 160 M | 1 |
| IR100F120M | 100 F | 120 M | 1 |
| IR100F130M | 100 F | 130 M | 1 |
| IR100F140M | 100 F | 140 M | 1 |
| IR100F150M | 100 F | 150 M | 1 |
| IR100F160M | 100 F | 160 M | 1 |
| IR120F130M | 120 F | 130 M | 1 |
| IR120F140M | 120 F | 140 M | 1 |
| IR120F150M | 120 F | 150 M | 1 |
| IR120F160M | 120 F | 160 M | 1 |
| IR120F180M | 120 F | 180 M | 1 |
| IR130F140M | 130 F | 140 M | 1 |
| IR130F150M | 130 F | 150 M | 1 |
| IR130F160M | 130 F | 160 M | 1 |
| IR130F180M | 130 F | 180 M | 1 |
| IR140F150M | 140 F | 150 M | 1 |
| IR140F160M | 140 F | 160 M | 1 |
| IR140F180M | 140 F | 180 M | 1 |
| IR140F200M | 140 F | 200 M | 1 |
| IR150F160M | 150 F | 160 M | 1 |
| IR150F180M | 150 F | 180 M | 1 |
| IR150F200M | 150 F | 200 M | 1 |
| IR160F180M | 160 F | 180 M | 1 |
| IR160F200M | 160 F | 200 M | 1 |
| IR180F200M | 180 F | 200 M | 1 |
| IR180F250M | 180 F | 250 M | 1 |
| IR200F250M | 200 F | 250 M | 1 |
| IR200F300M | 200 F | 300 M | 1 |
| IR250F300M | 250 F | 300 M | 1 |
| IR300F350M | 300 F | 350 M | 1 |



M - maschio male mâle / F - femmina female femelle



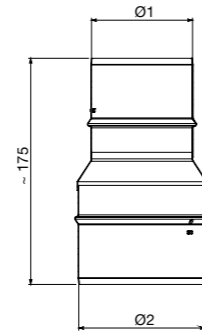
IR M/M

Riduttore maggioratore maschio-maschio

Reducer enlarger male-male - Réduction augmentation mâle-mâle

Finiture disponibili - Available finishes - Finitions disponibles

| F.08 - ACCIAIO INOX STAINLESS STEEL - ACIER INOX | Ø1 | Ø2 | 📦 |
|---|-------|-------|---|
| IR080M100M | 80 M | 100 M | 1 |
| IR080M120M | 80 M | 120 M | 1 |
| IR080M130M | 80 M | 130 M | 1 |
| IR080M140M | 80 M | 140 M | 1 |
| IR080M150M | 80 M | 150 M | 1 |
| IR080M160M | 80 M | 160 M | 1 |
| IR100M120M | 100 M | 120 M | 1 |
| IR100M130M | 100 M | 130 M | 1 |
| IR100M140M | 100 M | 140 M | 1 |
| IR100M150M | 100 M | 150 M | 1 |
| IR100M160M | 100 M | 160 M | 1 |
| IR120M130M | 120 M | 130 M | 1 |
| IR120M140M | 120 M | 140 M | 1 |
| IR120M150M | 120 M | 150 M | 1 |
| IR120M160M | 120 M | 160 M | 1 |
| IR120M180M | 120 M | 180 M | 1 |
| IR130M140M | 130 M | 140 M | 1 |
| IR130M150M | 130 M | 150 M | 1 |
| IR130M160M | 130 M | 160 M | 1 |
| IR130M180M | 130 M | 180 M | 1 |
| IR140M150M | 140 M | 150 M | 1 |
| IR140M160M | 140 M | 160 M | 1 |
| IR140M180M | 140 M | 180 M | 1 |
| IR140M200M | 140 M | 200 M | 1 |
| IR150M160M | 150 M | 160 M | 1 |
| IR150M180M | 150 M | 180 M | 1 |
| IR150M200M | 150 M | 200 M | 1 |
| IR160M180M | 160 M | 180 M | 1 |
| IR160M200M | 160 M | 200 M | 1 |
| IR180M200M | 180 M | 200 M | 1 |
| IR180M250M | 180 M | 250 M | 1 |
| IR200M250M | 200 M | 250 M | 1 |
| IR200M300M | 200 M | 300 M | 1 |
| IR250M300M | 250 M | 300 M | 1 |
| IR300M350M | 300 M | 350 M | 1 |



M - maschio male mâle

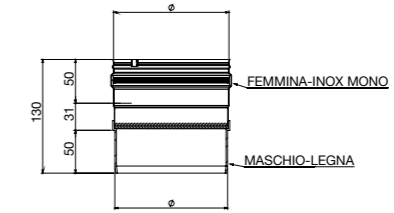
ADT1

Adattatore legna maschio / inox mono femmina

Single wall adaptor wood male / inox female - Adaptateur simple paroi bois mâle / femelle inox

Finiture disponibili - Available finishes - Finitions disponibles

| F.01 - NERO BLACK - NOIR | F.02 - GRIGIO GREY - GRIS | Ø | 📦 |
|-----------------------------|------------------------------|-----|---|
| D120ADT1 | G120ADT1 | 120 | 1 |
| D130ADT1 | G130ADT1 | 130 | 1 |
| D140ADT1 | G140ADT1 | 140 | 1 |
| D150ADT1 | G150ADT1 | 150 | 1 |
| D160ADT1 | G160ADT1 | 160 | 1 |
| D180ADT1 | G180ADT1 | 180 | 1 |
| D200ADT1 | G200ADT1 | 200 | 1 |



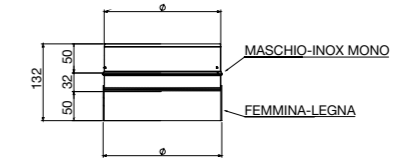
ADT2

Adattatore legna femmina / inox mono maschio

Single wall adaptor wood female / inox male - Adaptateur simple paroi bois femelle / mâle inox

Finiture disponibili - Available finishes - Finitions disponibles

| F.01 - NERO BLACK - NOIR | F.02 - GRIGIO GREY - GRIS | Ø | 📦 |
|-----------------------------|------------------------------|-----|---|
| D120ADT2 | G120ADT2 | 120 | 1 |
| D130ADT2 | G130ADT2 | 130 | 1 |
| D140ADT2 | G140ADT2 | 140 | 1 |
| D150ADT2 | G150ADT2 | 150 | 1 |
| D160ADT2 | G160ADT2 | 160 | 1 |
| D180ADT2 | G180ADT2 | 180 | 1 |
| D200ADT2 | G200ADT2 | 200 | 1 |



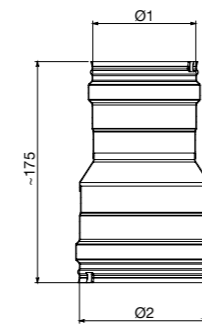
IR F/F

Riduttore maggioratore femmina-femmina

Reducer enlarger female-female - Réduction augmentation femelle-femelle

Finiture disponibili - Available finishes - Finitions disponibles

| F.08 - ACCIAIO INOX STAINLESS STEEL - ACIER INOX | Ø1 | Ø2 | 📦 |
|---|-------|-------|---|
| IR080F100F | 80 F | 100 F | 1 |
| IR080F120F | 80 F | 120 F | 1 |
| IR080F130F | 80 F | 130 F | 1 |
| IR080F140F | 80 F | 140 F | 1 |
| IR080F150F | 80 F | 150 F | 1 |
| IR080F160F | 80 F | 160 F | 1 |
| IR100F120F | 100 F | 120 F | 1 |
| IR100F130F | 100 F | 130 F | 1 |
| IR100F140F | 100 F | 140 F | 1 |
| IR100F150F | 100 F | 150 F | 1 |
| IR100F160F | 100 F | 160 F | 1 |
| IR120F130F | 120 F | 130 F | 1 |
| IR120F140F | 120 F | 140 F | 1 |
| IR120F150F | 120 F | 150 F | 1 |
| IR120F160F | 120 F | 160 F | 1 |
| IR120F180F | 120 F | 180 F | 1 |
| IR130F140F | 130 F | 140 F | 1 |
| IR130F150F | 130 F | 150 F | 1 |
| IR130F160F | 130 F | 160 F | 1 |
| IR130F180F | 130 F | 180 F | 1 |
| IR140F150F | 140 F | 150 F | 1 |
| IR140F160F | 140 F | 160 F | 1 |
| IR140F180F | 140 F | 180 F | 1 |
| IR140F200F | 140 F | 200 F | 1 |
| IR150F160F | 150 F | 160 F | 1 |
| IR150F180F | 150 F | 180 F | 1 |
| IR150F200F | 150 F | 200 F | 1 |
| IR160F180F | 160 F | 180 F | 1 |
| IR160F200F | 160 F | 200 F | 1 |
| IR180F200F | 180 F | 200 F | 1 |
| IR180F250F | 180 F | 250 F | 1 |
| IR200F250F | 200 F | 250 F | 1 |
| IR200F300F | 200 F | 300 F | 1 |
| IR250F300F | 250 F | 300 F | 1 |
| IR300F350F | 300 F | 350 F | 1 |



F - femmina female femelle

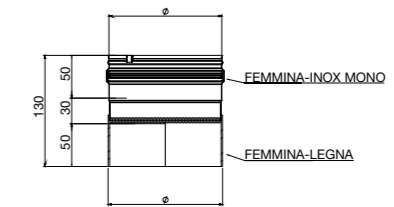
ADT3

Adattatore legna femmina / inox mono femmina

Single wall adaptor wood female / inox female - Adaptateur simple paroi bois femelle / femelle inox

Finiture disponibili - Available finishes - Finitions disponibles

| F.01 - NERO BLACK - NOIR | F.02 - GRIGIO GREY - GRIS | Ø | 📦 |
|-----------------------------|------------------------------|-----|---|
| D120ADT3 | G120ADT3 | 120 | 1 |
| D130ADT3 | G130ADT3 | 130 | 1 |
| D140ADT3 | G140ADT3 | 140 | 1 |
| D150ADT3 | G150ADT3 | 150 | 1 |
| D160ADT3 | G160ADT3 | 160 | 1 |
| D180ADT3 | G180ADT3 | 180 | 1 |
| D200ADT3 | G200ADT3 | 200 | 1 |



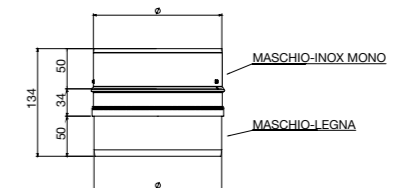
ADT4

Adattatore legna maschio / inox mono maschio

Single wall adaptor wood male / inox male - Adaptateur simple paroi bois mâle / mâle inox

Finiture disponibili - Available finishes - Finitions disponibles

| F.01 - NERO BLACK - NOIR | F.02 - GRIGIO GREY - GRIS | Ø | 📦 |
|-----------------------------|------------------------------|-----|---|
| D120ADT4 | G120ADT4 | 120 | 1 |
| D130ADT4 | G130ADT4 | 130 | 1 |
| D140ADT4 | G140ADT4 | 140 | 1 |
| D150ADT4 | G150ADT4 | 150 | 1 |
| D160ADT4 | G160ADT4 | 160 | 1 |
| D180ADT4 | G180ADT4 | 180 | 1 |
| D200ADT4 | G200ADT4 | 200 | 1 |



Si realizzano riduzioni speciali su richiesta. Vedi pag. 141.
Special reductions are made on request. See pag. 141.
On produit réductions spéciales sur demande. Voir page 141.

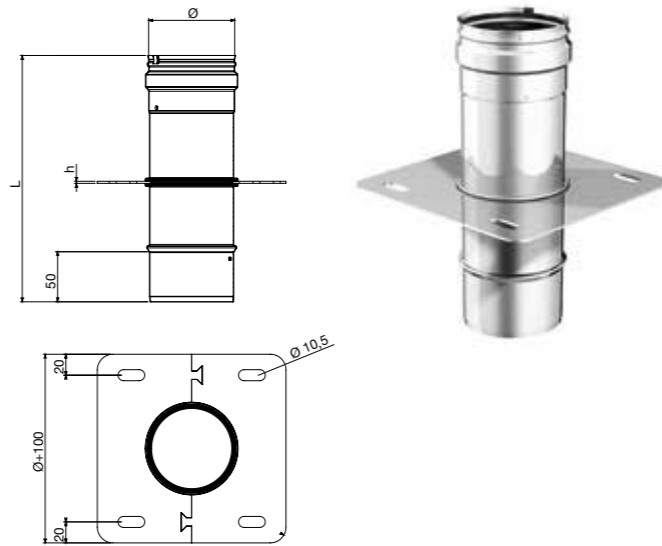


PB10

Piastra con elemento dritto
Plate with straight element - Plaque avec élément droit

Finiture disponibili - Available finishes - Finitions disponibles

| F.08 - ACCIAIO INOX STAINLESS STEEL - ACIER INOX | | | | |
|---|-----|-----|---|---|
| | Ø | L | h | |
| I080PB10 | 80 | 245 | 2 | 1 |
| I100PB10 | 100 | 245 | 2 | 1 |
| I120PB10 | 120 | 245 | 2 | 1 |
| I130PB10 | 130 | 245 | 2 | 1 |
| I140PB10 | 140 | 245 | 2 | 1 |
| I150PB10 | 150 | 245 | 2 | 1 |
| I160PB10 | 160 | 245 | 2 | 1 |
| I180PB10 | 180 | 245 | 2 | 1 |
| I200PB10 | 200 | 245 | 3 | 1 |
| I220PB10 | 220 | 245 | 3 | 1 |
| I250PB10 | 250 | 245 | 3 | 1 |
| I300PB10 | 300 | 245 | 3 | 1 |
| I350PB10 | 350 | 245 | 3 | 1 |
| I400PB10 | 400 | 245 | 3 | 1 |



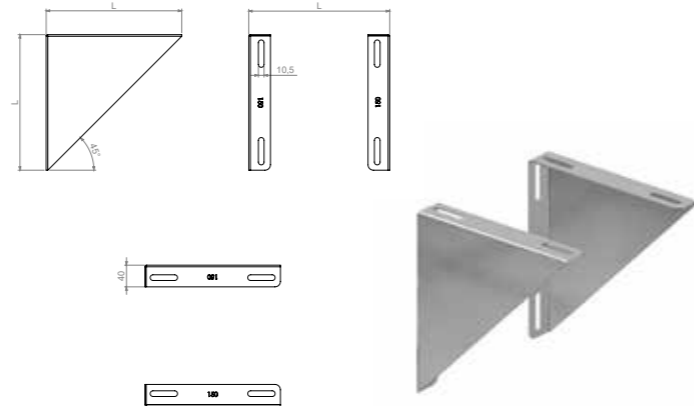
Articolo fornito completo di viteria - Article supplied complete with screws - Article livré complet avec vis

SM13

Supporto murale
Wall support - Support mural

Finiture disponibili - Available finishes - Finitions disponibles

| F.08 - ACCIAIO INOX STAINLESS STEEL - ACIER INOX | | | |
|---|-----|-----|---|
| | Ø | L | |
| J080SM13 | 80 | 180 | 1 |
| J100SM13 | 100 | 200 | 1 |
| J120SM13 | 120 | 220 | 1 |
| J130SM13 | 130 | 230 | 1 |
| J140SM13 | 140 | 240 | 1 |
| J150SM13 | 150 | 250 | 1 |
| J160SM13 | 160 | 260 | 1 |
| J180SM13 | 180 | 280 | 1 |
| J200SM13 | 200 | 300 | 1 |
| J220SM13 | 220 | 320 | 1 |
| J250SM13 | 250 | 350 | 1 |
| J300SM13 | 300 | 400 | 1 |
| J350SM13 | 350 | 450 | 1 |
| J400SM13 | 400 | 500 | 1 |



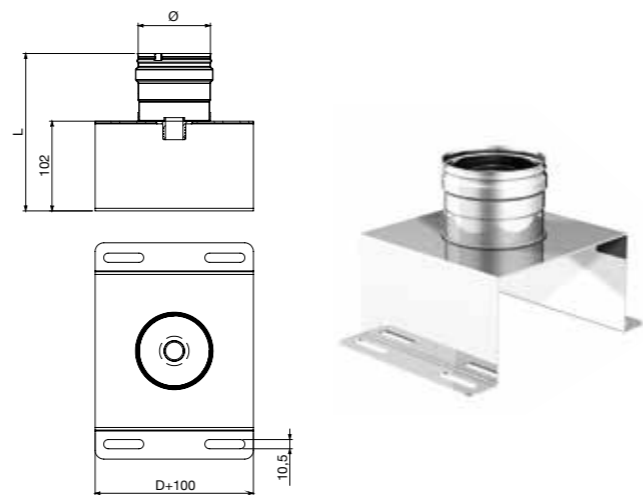
Articolo fornito completo di viteria - Article supplied complete with screws - Article livré complet avec vis

PA26

Piastra ancoraggio con scarico
Anchorage plate with draining - Plaque d'ancrage avec tampon purge

Finiture disponibili - Available finishes - Finitions disponibles

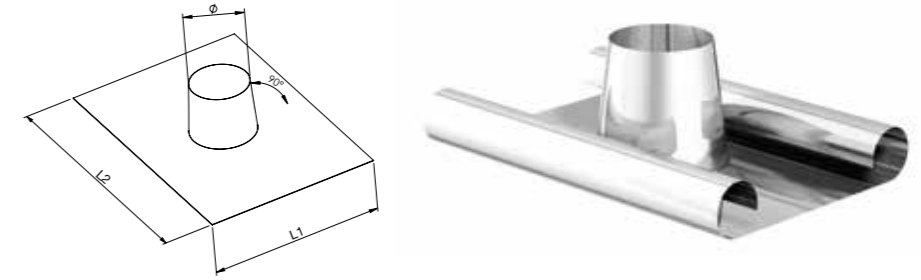
| F.08 - ACCIAIO INOX STAINLESS STEEL - ACIER INOX | | | |
|---|-----|-----|---|
| | Ø | L | |
| I080PA26 | 80 | 180 | 1 |
| I100PA26 | 100 | 180 | 1 |
| I120PA26 | 120 | 180 | 1 |
| I130PA26 | 130 | 180 | 1 |
| I140PA26 | 140 | 180 | 1 |
| I150PA26 | 150 | 180 | 1 |
| I160PA26 | 160 | 180 | 1 |
| I180PA26 | 180 | 180 | 1 |
| I200PA26 | 200 | 180 | 1 |
| I220PA26 | 220 | 180 | 1 |
| I250PA26 | 250 | 180 | 1 |
| I300PA26 | 300 | 180 | 1 |
| I350PA26 | 350 | 180 | 1 |
| I400PA26 | 400 | 180 | 1 |



Articolo fornito completo di viteria - Article supplied complete with screws - Article livré complet avec vis

FP23/24

Faldale per tetti piani
Flashing for flat roofs
Solin pour toits plats



ALLUMINIO ALUMINIUM ALUMINIUM

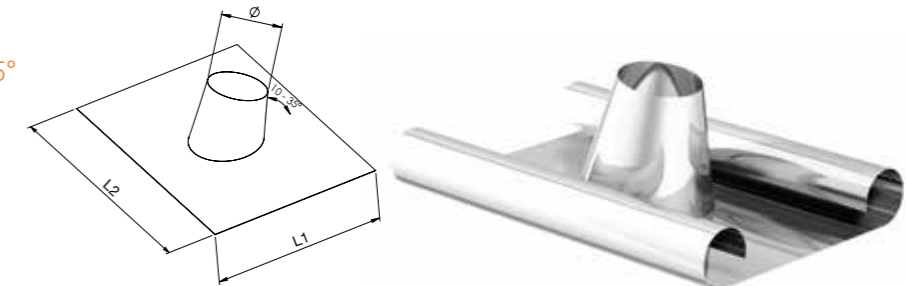
| F.08 - INOX SS - INOX | | | | |
|--------------------------|-----|------|------|---|
| | Ø | L1 | L2 | |
| J080FP23 | 80 | 450 | 550 | 1 |
| J100FP23 | 100 | 450 | 550 | 1 |
| J120FP23 | 120 | 550 | 650 | 1 |
| J130FP23 | 130 | 550 | 650 | 1 |
| J140FP23 | 140 | 550 | 650 | 1 |
| J150FP23 | 150 | 550 | 650 | 1 |
| J160FP23 | 160 | 550 | 650 | 1 |
| J180FP23 | 180 | 650 | 750 | 1 |
| J200FP23 | 200 | 650 | 750 | 1 |
| J220FP23 | 220 | 650 | 750 | 1 |
| J250FP23 | 250 | 650 | 750 | 1 |
| J300FP23 | 300 | 750 | 850 | 1 |
| J350FP23 | 350 | 750 | 850 | 1 |
| J400FP23 | 400 | 1000 | 1000 | 1 |

PIOMBO LEAD PLOMB

| F.08 - INOX SS - INOX | | | | |
|--------------------------|-----|------|------|---|
| | Ø | L1 | L2 | |
| J080FP24 | 80 | 500 | 700 | 1 |
| J100FP24 | 100 | 500 | 700 | 1 |
| J120FP24 | 120 | 500 | 1000 | 1 |
| J130FP24 | 130 | 500 | 1000 | 1 |
| J140FP24 | 140 | 500 | 1000 | 1 |
| J150FP24 | 150 | 700 | 1000 | 1 |
| J160FP24 | 160 | 700 | 1000 | 1 |
| J180FP24 | 180 | 700 | 1000 | 1 |
| J200FP24 | 200 | 800 | 1000 | 1 |
| J220FP24 | 220 | 800 | 1000 | 1 |
| J250FP24 | 250 | 800 | 1000 | 1 |
| J300FP24 | 300 | 1000 | 1000 | 1 |
| J350FP24 | 350 | 1000 | 1000 | 1 |
| J400FP24 | - | - | - | - |

FI20/21

Faldale per tetti inclinati da 10° a 35°
Flashing for sloped roofs from 10° to 35°
Solin pour toits inclinés de 10° à 35°



ALLUMINIO ALUMINIUM ALUMINIUM

| F.08 - INOX SS - INOX | | | | |
|--------------------------|-----|------|------|---|
| | Ø | L1 | L2 | |
| J080FI20 | 80 | 450 | 550 | 1 |
| J100FI20 | 100 | 450 | 550 | 1 |
| J120FI20 | 120 | 550 | 650 | 1 |
| J130FI20 | 130 | 550 | 650 | 1 |
| J140FI20 | 140 | 550 | 650 | 1 |
| J150FI20 | 150 | 550 | 650 | 1 |
| J160FI20 | 160 | 550 | 650 | 1 |
| J180FI20 | 180 | 650 | 750 | 1 |
| J200FI20 | 200 | 650 | 750 | 1 |
| J220FI20 | 220 | 650 | 750 | 1 |
| J250FI20 | 250 | 650 | 750 | 1 |
| J300FI20 | 300 | 750 | 850 | 1 |
| J350FI20 | 350 | 750 | 850 | 1 |
| J400FI20 | 400 | 1000 | 1000 | 1 |

PIOMBO LEAD PLOMB

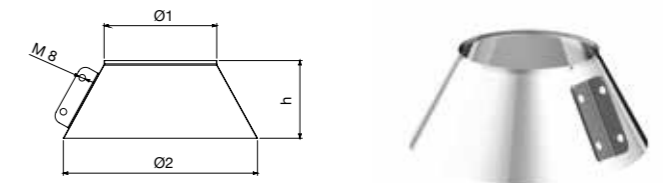
| F.08 - INOX SS - INOX | | | | |
|--------------------------|-----|------|------|---|
| | Ø | L1 | L2 | |
| J080FI21 | 80 | 500 | 700 | 1 |
| J100FI21 | 100 | 500 | 700 | 1 |
| J120FI21 | 120 | 500 | 1000 | 1 |
| J130FI21 | 130 | 500 | 1000 | 1 |
| J140FI21 | 140 | 500 | 1000 | 1 |
| J150FI21 | 150 | 700 | 1000 | 1 |
| J160FI21 | 160 | 700 | 1000 | 1 |
| J180FI21 | 180 | 700 | 1000 | 1 |
| J200FI21 | 200 | 800 | 1000 | 1 |
| J220FI21 | 220 | 800 | 1000 | 1 |
| J250FI21 | 250 | 800 | 1000 | 1 |
| J300FI21 | 300 | 1000 | 1000 | 1 |
| J350FI21 | 350 | 1000 | 1000 | 1 |
| J400FI21 | - | - | - | - |

SS22

Scossalina
Collar - Collettere de solin

Finiture disponibili - Available finishes - Finitions disponibles

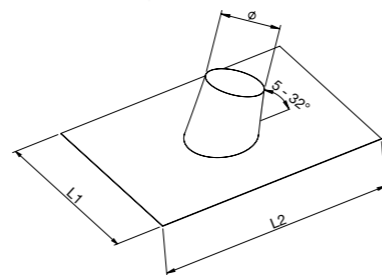
| F.08 - ACCIAIO INOX STAINLESS STEEL - ACIER INOX | | | | |
|---|-----|-----|-----|---|
| | Ø1 | Ø2 | h | |
| J080SS22 | 80 | 180 | 100 | 1 |
| J100SS22 | 100 | 200 | 100 | 1 |
| J120SS22 | 120 | 220 | 100 | 1 |
| J130SS22 | 130 | 230 | 100 | 1 |
| J140SS22 | 140 | 240 | 100 | 1 |
| J150SS22 | 150 | 250 | 100 | 1 |
| J160SS22 | 160 | 260 | 100 | 1 |
| J180SS22 | 180 | 280 | 100 | 1 |
| J200SS22 | 200 | 300 | 100 | 1 |
| J220SS22 | 220 | 320 | 100 | 1 |
| J250SS22 | 250 | 350 | 100 | 1 |
| J300SS22 | 300 | 400 | 100 | 1 |
| J350SS22 | 350 | 450 | 100 | 1 |
| J400SS22 | 400 | 600 | 100 | 1 |





FI30/31

Faldale con base in gomma per tetti inclinati da 5° a 32°
Flashing with rubber base for sloped roofs from 5° to 32°
Solin avec base en gomme pour toits inclinés de 5° à 32°



Finiture disponibili - Available finishes - Finitions disponibles

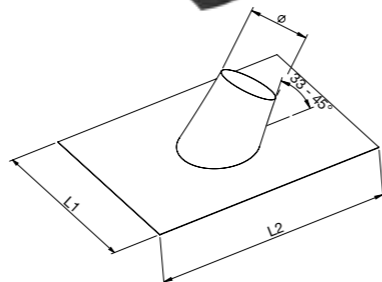
| F.08 - INOX | | F.08 - INOX | |
|--|--|--|--|
| SS - INOX | | SS - INOX | |
| J080FI30 | | J080FI31 | |
| J100FI30 | | J100FI31 | |
| J120FI30 | | J120FI31 | |
| J130FI30 | | J130FI31 | |
| J140FI30 | | J140FI31 | |
| J150FI30 | | J150FI31 | |
| J160FI30 | | J160FI31 | |
| J180FI30 | | J180FI31 | |
| J200FI30 | | J200FI31 | |
| J220FI30 | | J220FI31 | |
| J250FI30 | | J250FI31 | |
| J300FI30 | | J300FI31 | |
| J350FI30 | | J350FI31 | |
| J400FI30 | | J400FI31 | |
| Base in gomma rossa Base in red rubber Base en gomme rouge | | Base in gomma nera Base in black rubber Base en gomme noir | |

| Ø | L1 | L2 | ☐ |
|-----|-----|------|---|
| 80 | 500 | 560 | 1 |
| 100 | 500 | 560 | 1 |
| 120 | 560 | 688 | 1 |
| 130 | 560 | 688 | 1 |
| 140 | 560 | 688 | 1 |
| 150 | 560 | 715 | 1 |
| 160 | 560 | 715 | 1 |
| 180 | 625 | 1006 | 1 |
| 200 | 625 | 1006 | 1 |
| 220 | 688 | 1006 | 1 |
| 250 | 715 | 1006 | 1 |
| 300 | 715 | 1006 | 1 |
| 350 | 800 | 1006 | 1 |
| 400 | 800 | 1006 | 1 |

Faldale extra-flex con base adesiva, molto malleabile adattabile ad ogni tipologia di tetto.
Flashing in extra-flex rubber with adhesive base, very malleable and adaptable to any type of sloped roof.
Solin en extra-flex gomme avec base adhésive, très malléable et adaptable à chaque typologie de toit.

FI35/36

Faldale con base in gomma per tetti inclinati da 33° a 45°
Flashing with rubber base for sloped roofs from 33° to 45°
Solin avec base en gomme pour toits inclinés de 33° à 45°



Finiture disponibili - Available finishes - Finitions disponibles

| F.08 - INOX | | F.08 - INOX | |
|--|--|--|--|
| SS - INOX | | SS - INOX | |
| J080FI35 | | J080FI36 | |
| J100FI35 | | J100FI36 | |
| J120FI35 | | J120FI36 | |
| J130FI35 | | J130FI36 | |
| J140FI35 | | J140FI36 | |
| J150FI35 | | J150FI36 | |
| J160FI35 | | J160FI36 | |
| J180FI35 | | J180FI36 | |
| J200FI35 | | J200FI36 | |
| J220FI35 | | J220FI36 | |
| J250FI35 | | J250FI36 | |
| J300FI35 | | J300FI36 | |
| J350FI35 | | J350FI36 | |
| J400FI35 | | J400FI36 | |
| Base in gomma rossa Base in red rubber Base en gomme rouge | | Base in gomma nera Base in black rubber Base en gomme noir | |

| Ø | L1 | L2 | ☐ |
|-----|-----|------|---|
| 80 | 500 | 560 | 1 |
| 100 | 500 | 560 | 1 |
| 120 | 560 | 685 | 1 |
| 130 | 560 | 685 | 1 |
| 140 | 560 | 685 | 1 |
| 150 | 560 | 715 | 1 |
| 160 | 560 | 715 | 1 |
| 180 | 625 | 1080 | 1 |
| 200 | 625 | 1080 | 1 |
| 220 | 685 | 1080 | 1 |
| 250 | 715 | 1080 | 1 |
| 300 | 715 | 1080 | 1 |
| 350 | 833 | 1080 | 1 |
| 400 | 833 | 1080 | 1 |

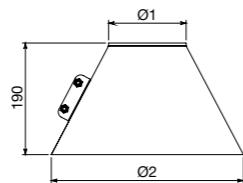
Faldale extra-flex con base adesiva, molto malleabile adattabile ad ogni tipologia di tetto.
Flashing in extra-flex rubber with adhesive base, very malleable and adaptable to any type of sloped roof.
Solin en extra-flex gomme avec base adhésive, très malléable et adaptable à chaque typologie de toit.

SS20

Scossalina
Collar - Colletette de solin

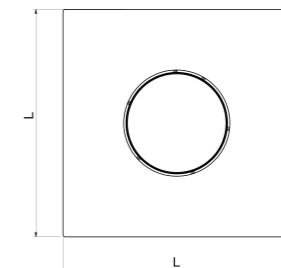
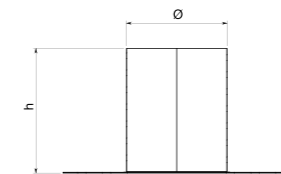
Finiture disponibili - Available finishes - Finitions disponibles

| F.08 - ACCIAIO INOX | | Ø1 | Ø2 | ☐ |
|------------------------------|--|-----|-----|---|
| STAINLESS STEEL - ACIER INOX | | | | |
| J130SS20 | | 130 | 330 | 1 |
| J150SS20 | | 150 | 350 | 1 |
| J180SS20 | | 180 | 410 | 1 |
| J200SS20 | | 200 | 410 | 1 |
| J230SS20 | | 230 | 460 | 1 |
| J250SS20 | | 250 | 460 | 1 |
| J300SS20 | | 300 | 500 | 1 |



CATC

Piastra telescopica di chiusura
Closure telescopic plate - Plaque télescopique de fermeture



Finiture disponibili - Available finishes - Finitions disponibles

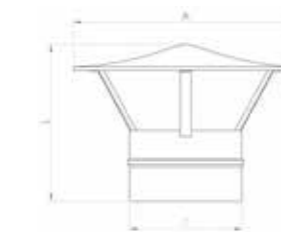
| F.08 - ACCIAIO INOX | | Ø | h | L | ☐ |
|------------------------------|--|-----|-----|-----|---|
| STAINLESS STEEL - ACIER INOX | | | | | |
| I080CATC | | 80 | 247 | 450 | 1 |
| I100CATC | | 100 | 247 | 450 | 1 |
| I120CATC | | 120 | 247 | 450 | 1 |
| I130CATC | | 130 | 247 | 450 | 1 |
| I140CATC | | 140 | 247 | 450 | 1 |
| I150CATC | | 150 | 247 | 450 | 1 |
| I160CATC | | 160 | 247 | 450 | 1 |
| I180CATC | | 180 | 247 | 450 | 1 |
| I200CATC | | 200 | 247 | 450 | 1 |
| I220CATC | | 220 | 247 | 450 | 1 |
| I250CATC | | 250 | 247 | 450 | 1 |

CC06

Terminale cinese
Rain cowl - Chapeau chinois

Finiture disponibili - Available finishes - Finitions disponibles

| F.08 - ACCIAIO INOX | | Ø | A | L | ☐ |
|------------------------------|--|-----|-----|-----|---|
| STAINLESS STEEL - ACIER INOX | | | | | |
| J080CC06 | | 80 | 204 | 160 | 1 |
| J100CC06 | | 100 | 204 | 169 | 1 |
| J120CC06 | | 120 | 254 | 155 | 1 |
| J130CC06 | | 130 | 254 | 159 | 1 |
| J140CC06 | | 140 | 254 | 162 | 1 |
| J150CC06 | | 150 | 302 | 180 | 1 |
| J160CC06 | | 160 | 302 | 187 | 1 |
| J180CC06 | | 180 | 380 | 200 | 1 |
| J200CC06 | | 200 | 380 | 230 | 1 |
| J220CC06 | | 220 | 452 | 210 | 1 |
| J250CC06 | | 250 | 452 | 220 | 1 |
| J300CC06 | | 300 | 502 | 252 | 1 |
| J350CC06 | | 350 | 502 | 232 | 1 |

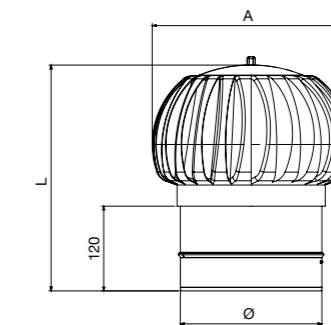


CE12

Terminale eolico
Aeolian spinning cowl - Chapeau éolien

Finiture disponibili - Available finishes - Finitions disponibles

| F.08 - ACCIAIO INOX | | Ø | L | A | ☐ |
|------------------------------|--|-----|-----|-----|---|
| STAINLESS STEEL - ACIER INOX | | | | | |
| J100CE12 | | 100 | 295 | 215 | 1 |
| J120CE12 | | 120 | 295 | 215 | 1 |
| J130CE12 | | 130 | 295 | 215 | 1 |
| J140CE12 | | 140 | 295 | 235 | 1 |
| J150CE12 | | 150 | 295 | 235 | 1 |
| J160CE12 | | 160 | 295 | 235 | 1 |
| J180CE12 | | 180 | 330 | 260 | 1 |
| J200CE12 | | 200 | 330 | 270 | 1 |
| J220CE12 | | 220 | 340 | 300 | 1 |
| J250CE12 | | 250 | 360 | 340 | 1 |
| J300CE12 | | 300 | 420 | 410 | 1 |
| J350CE12 | | 350 | 390 | 420 | 1 |
| J400CE12 | | 400 | 380 | 470 | 1 |



Terminale adatto per sistemi di evacuazione aria - Cowl apt for air extraction systems - Chapeau apte pour les systèmes d'évacuation de l'air



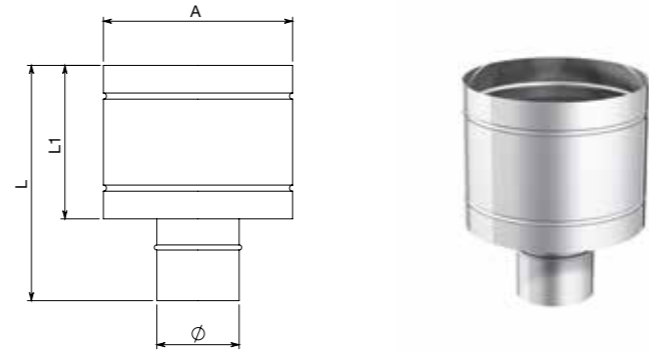
CAPE

Terminale a botte

Vedette cowl - Chapeau à tonneau

Finiture disponibili - Available finishes - Finitions disponibles

| F.08 - ACCIAIO INOX STAINLESS STEEL - ACIER INOX | Ø | A | L | L1 | |
|---|-----|-----|-----|-----|---|
| J080CAPE | 80 | 185 | 230 | 150 | 1 |
| J100CAPE | 100 | 200 | 240 | 165 | 1 |
| J120CAPE | 120 | 220 | 250 | 165 | 1 |
| J130CAPE | 130 | 230 | 250 | 165 | 1 |
| J140CAPE | 140 | 275 | 275 | 200 | 1 |
| J150CAPE | 150 | 250 | 280 | 200 | 1 |
| J160CAPE | 160 | 260 | 280 | 200 | 1 |
| J180CAPE | 180 | 280 | 290 | 200 | 1 |
| J200CAPE | 200 | 300 | 335 | 250 | 1 |
| J220CAPE | 220 | 370 | 325 | 250 | 1 |
| J250CAPE | 250 | 415 | 390 | 295 | 1 |
| J300CAPE | 300 | 460 | 400 | 295 | 1 |
| J350CAPE | 350 | 515 | 395 | 295 | 1 |
| J400CAPE | 400 | 565 | 400 | 295 | 1 |



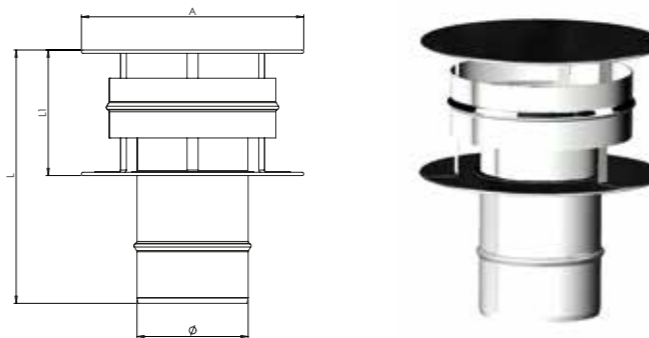
ANT2

Terminale antivento

Windproof cowl - Chapeau anti-vent

Finiture disponibili - Available finishes - Finitions disponibles

| F.08 - ACCIAIO INOX STAINLESS STEEL - ACIER INOX | Ø | A | L | L1 | |
|---|-----|-----|-----|-----|---|
| J080ANT2 | 80 | 200 | 225 | 110 | 1 |
| J100ANT2 | 100 | 200 | 225 | 110 | 1 |
| J120ANT2 | 120 | 300 | 285 | 170 | 1 |
| J130ANT2 | 130 | 300 | 290 | 175 | 1 |
| J140ANT2 | 140 | 350 | 315 | 200 | 1 |
| J150ANT2 | 150 | 350 | 315 | 200 | 1 |
| J160ANT2 | 160 | 350 | 315 | 200 | 1 |
| J180ANT2 | 180 | 450 | 355 | 240 | 1 |
| J200ANT2 | 200 | 450 | 355 | 240 | 1 |
| J220ANT2 | 220 | 450 | 355 | 240 | 1 |
| J250ANT2 | 250 | 560 | 415 | 300 | 1 |
| J300ANT2 | 300 | 680 | 475 | 360 | 1 |



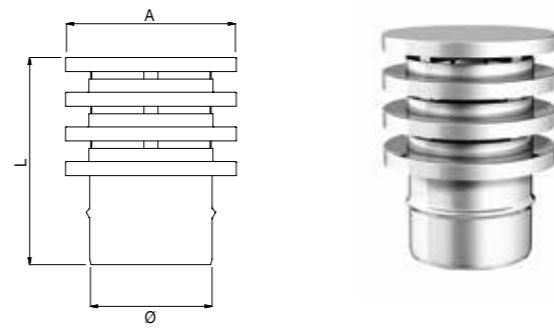
CALM

Terminale lamellare

Lamellar cowl - Chapeau lamellaire

Finiture disponibili - Available finishes - Finitions disponibles

| F.08 - ACCIAIO INOX STAINLESS STEEL - ACIER INOX | Ø | A | L | N. lamelle n.lamelle | |
|---|-----|-----|-----|-------------------------|---|
| J080CALM | 80 | 130 | 180 | 3 | 1 |
| J100CALM | 100 | 150 | 215 | 4 | 1 |
| J120CALM | 120 | 180 | 215 | 4 | 1 |
| J130CALM | 130 | 180 | 220 | 4 | 1 |
| J140CALM | 140 | 200 | 220 | 4 | 1 |
| J150CALM | 150 | 200 | 230 | 4 | 1 |
| J160CALM | 160 | 230 | 230 | 4 | 1 |
| J180CALM | 180 | 230 | 270 | 4 | 1 |
| J200CALM | 200 | 250 | 270 | 5 | 1 |
| J220CALM | 220 | 300 | 270 | 5 | 1 |
| J250CALM | 250 | 300 | 310 | 6 | 1 |
| J300CALM | 300 | 350 | 350 | 7 | 1 |



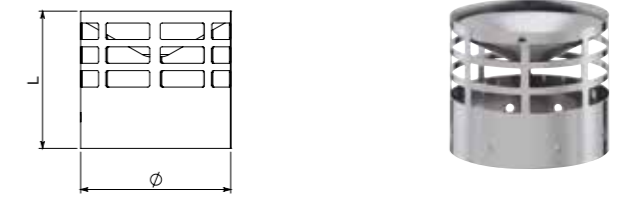
CAP1

Griglia di scarico

Grille cowl - Chapeau avec grille de décharge

Finiture disponibili - Available finishes - Finitions disponibles

| F.08 - ACCIAIO INOX STAINLESS STEEL - ACIER INOX | Ø | L | |
|---|-----|----|---|
| J080CAP1 | 80 | 80 | 1 |
| J100CAP1 | 100 | 75 | 1 |



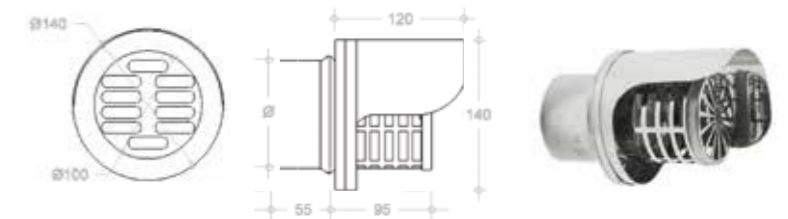
CAP3

Griglia di scarico

Grille cowl - Chapeau avec grille de décharge

Finiture disponibili - Available finishes - Finitions disponibles

| F.08 - ACCIAIO INOX STAINLESS STEEL - ACIER INOX | Ø | |
|---|-----|---|
| J080CAP3 | 80 | 1 |
| J100CAP3 | 100 | 1 |



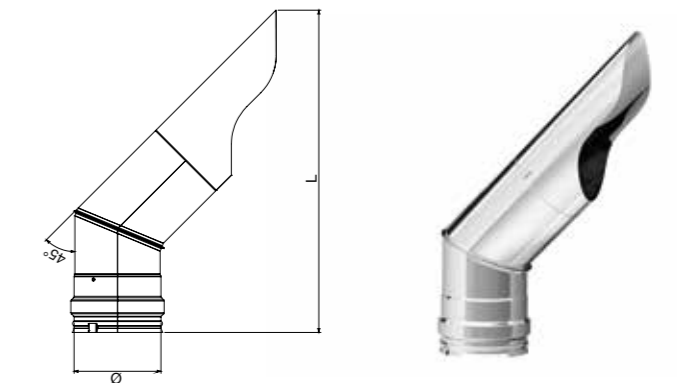
TERM

Terminale di scarico a becco

Beak discharge cowl - Terminal de décharge à bec

Finiture disponibili - Available finishes - Finitions disponibles

| F.08 - ACCIAIO INOX STAINLESS STEEL - ACIER INOX | Ø | L | |
|---|-----|-----|---|
| J080TERM | 80 | 252 | 1 |
| J100TERM | 100 | 261 | 1 |



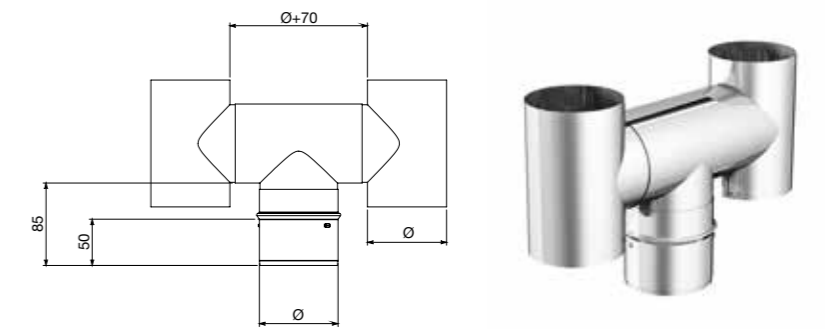
TERH

Terminale ad H

H cowl - Chapeau H

Finiture disponibili - Available finishes - Finitions disponibles

| F.08 - ACCIAIO INOX STAINLESS STEEL - ACIER INOX | Ø | |
|---|-----|---|
| J080TERH | 80 | 1 |
| J100TERH | 100 | 1 |
| J120TERH | 120 | 1 |
| J130TERH | 130 | 1 |
| J140TERH | 140 | 1 |
| J150TERH | 150 | 1 |
| J160TERH | 160 | 1 |
| J180TERH | 180 | 1 |
| J200TERH | 200 | 1 |



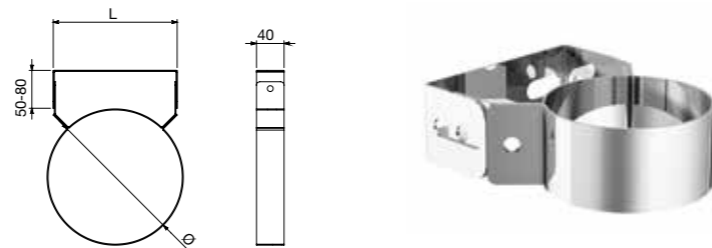


FM14

Fascetta murale
Wall clamp - Bride murale

Finiture disponibili - Available finishes - Finitions disponibles

| F.08 - ACCIAIO INOX STAINLESS STEEL - ACIER INOX | | | |
|---|-----|-----|---|
| | Ø | L | |
| J080FM14 | 80 | 105 | 1 |
| J100FM14 | 100 | 110 | 1 |
| J120FM14 | 120 | 130 | 1 |
| J130FM14 | 130 | 130 | 1 |
| J140FM14 | 140 | 145 | 1 |
| J150FM14 | 150 | 145 | 1 |
| J160FM14 | 160 | 135 | 1 |
| J180FM14 | 180 | 165 | 1 |
| J200FM14 | 200 | 180 | 1 |
| J220FM14 | 220 | 200 | 1 |
| J250FM14 | 250 | 220 | 1 |
| J300FM14 | 300 | 250 | 1 |
| J350FM14 | 350 | 290 | 1 |
| J400FM14 | 400 | 350 | 1 |

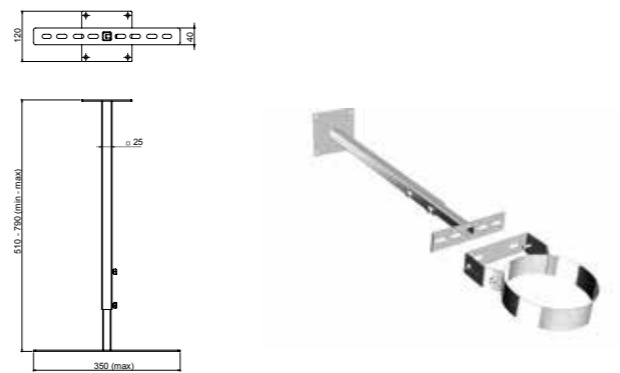


Articolo fornito completo di viteria - Article supplied complete with screws - Article livré complet avec vis

FM15

Prolunga telescopica per FM14
Telescopic extension for FM14 - Extension télescopique pour FM14

| CODICE CODE - CODE JUNVFM15 | | |
|-----------------------------------|--|---|
| | | 1 |



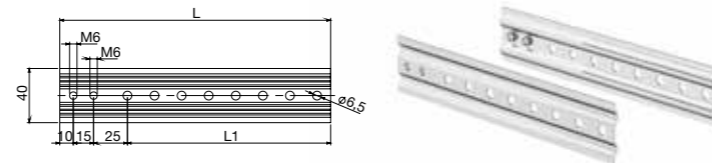
Articolo fornito completo di viteria - Article supplied complete with screws - Article livré complet avec vis

PSF1/2/3

Prolunga per fissaggio staffa
Extension mounting bracket - Extension du support de montage

Finiture disponibili - Available finishes - Finitions disponibles

| F.08 - ACCIAIO INOX STAINLESS STEEL - ACIER INOX | | |
|---|-----|---|
| | L1 | |
| JUNVPSF1 | 100 | 1 |
| JUNVPSF2 | 200 | 1 |
| JUNVPSF3 | 320 | 1 |



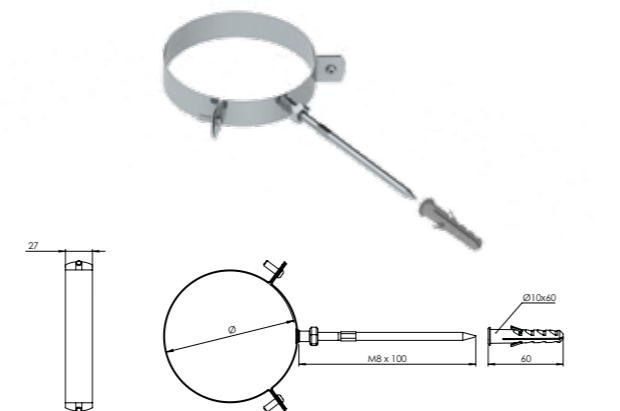
Si può tagliare a misura - It is possible to cut - On peut la couper à mesure

FLEG3

Fascetta reggitubo
Support pipe clip - Collier de soutien pour tuyaux

Finiture disponibili - Available finishes - Finitions disponibles

| F.08 - ACCIAIO INOX STAINLESS STEEL - ACIER INOX | | |
|---|-----|---|
| | Ø | |
| J080FLEG3 | 80 | 1 |
| J100FLEG3 | 100 | 1 |
| J120FLEG3 | 120 | 1 |
| J130FLEG3 | 130 | 1 |
| J140FLEG3 | 140 | 1 |
| J150FLEG3 | 150 | 1 |
| J160FLEG3 | 160 | 1 |
| J180FLEG3 | 180 | 1 |
| J200FLEG3 | 200 | 1 |
| J250FLEG3 | 250 | 1 |

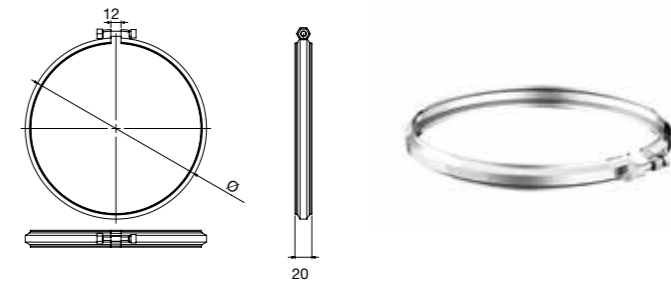


FB19

Fascetta di bloccaggio
Locking band - Bride de sécurité

Finiture disponibili - Available finishes - Finitions disponibles

| F.08 - ACCIAIO INOX STAINLESS STEEL - ACIER INOX | | |
|---|-----|---|
| | Ø | |
| J080FB19 | 80 | 1 |
| J100FB19 | 100 | 1 |
| J120FB19 | 120 | 1 |
| J130FB19 | 130 | 1 |
| J140FB19 | 140 | 1 |
| J150FB19 | 150 | 1 |
| J160FB19 | 160 | 1 |
| J180FB19 | 180 | 1 |
| J200FB19 | 200 | 1 |
| J220FB19 | 220 | 1 |
| J250FB19 | 250 | 1 |
| J300FB19 | 300 | 1 |
| J350FB19 | 350 | 1 |
| J400FB19 | 400 | 1 |

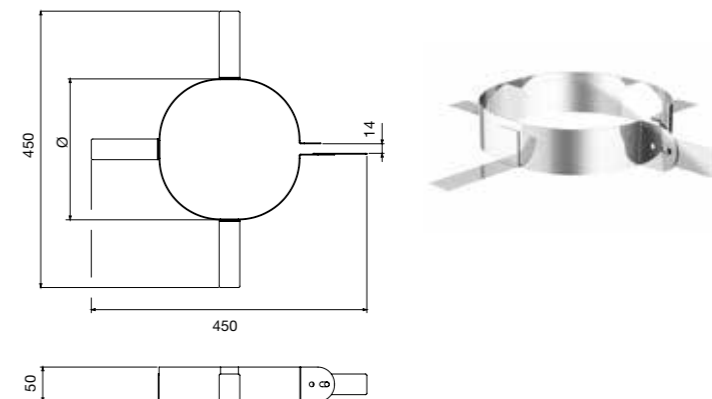


FC71

Fascetta di centraggio
Centering clamp - Collier de centrage

Finiture disponibili - Available finishes - Finitions disponibles

| F.08 - ACCIAIO INOX STAINLESS STEEL - ACIER INOX | | |
|---|-----|---|
| | Ø | |
| J080FC71 | 80 | 1 |
| J100FC71 | 100 | 1 |
| J120FC71 | 120 | 1 |
| J130FC71 | 130 | 1 |
| J140FC71 | 140 | 1 |
| J150FC71 | 150 | 1 |
| J160FC71 | 160 | 1 |
| J180FC71 | 180 | 1 |
| J200FC71 | 200 | 1 |
| J220FC71 | 220 | 1 |
| J250FC71 | 250 | 1 |
| J300FC71 | 300 | 1 |
| J350FC71 | 350 | 1 |
| J400FC71 | 400 | 1 |

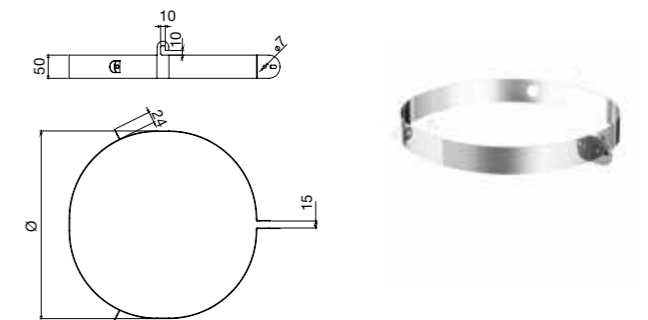


CT25

Fascia cavi tiranti e discesa
Guy wire bracket - Bride pour haubanage et descente

Finiture disponibili - Available finishes - Finitions disponibles

| F.08 - ACCIAIO INOX STAINLESS STEEL - ACIER INOX | | |
|---|-----|---|
| | Ø | |
| J080CT25 | 80 | 1 |
| J100CT25 | 100 | 1 |
| J120CT25 | 120 | 1 |
| J130CT25 | 130 | 1 |
| J140CT25 | 140 | 1 |
| J150CT25 | 150 | 1 |
| J160CT25 | 160 | 1 |
| J180CT25 | 180 | 1 |
| J200CT25 | 200 | 1 |
| J220CT25 | 220 | 1 |
| J250CT25 | 250 | 1 |
| J300CT25 | 300 | 1 |
| J350CT25 | 350 | 1 |
| J400CT25 | 400 | 1 |



Articolo fornito completo di viteria - Article supplied complete with screws - Article livré complet avec vis



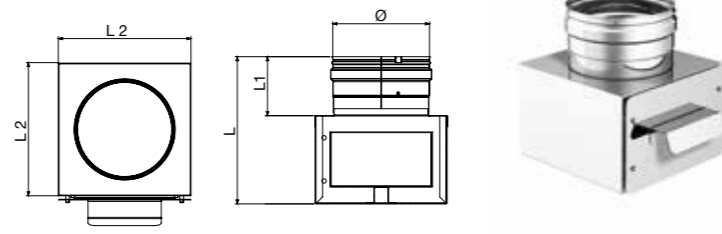
RACE

Cassetta raccogli cenere

Ash collecting box - Récupérateur cendre

Finiture disponibili - Available finishes - Finitions disponibles

| F.08 - ACCIAIO INOX STAINLESS STEEL - ACIER INOX | Ø | L | L1 | L2 | |
|---|-----|-----|----|-----|---|
| I080RACE | 80 | 200 | 80 | 182 | 1 |
| I100RACE | 100 | 200 | 80 | 182 | 1 |
| I120RACE | 120 | 200 | 80 | 182 | 1 |
| I130RACE | 130 | 200 | 80 | 182 | 1 |
| I140RACE | 140 | 200 | 80 | 252 | 1 |
| I150RACE | 150 | 200 | 80 | 252 | 1 |
| I160RACE | 160 | 200 | 80 | 252 | 1 |
| I180RACE | 180 | 200 | 80 | 252 | 1 |
| I200RACE | 200 | 200 | 80 | 252 | 1 |



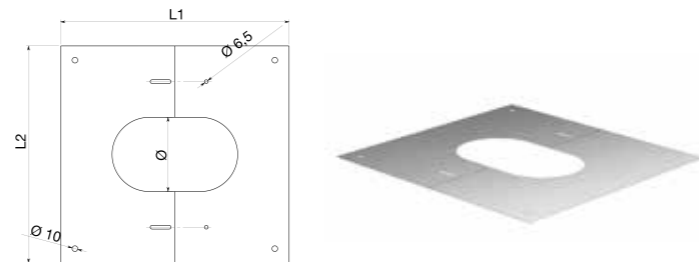
FIN1

Piastra quadrata di finitura da 0° a 30°

Square finishing plate from 0° to 30° - Plaque carrée de finition de 0° à 30°

Finiture disponibili - Available finishes - Finitions disponibles

| F.08 - ACCIAIO INOX STAINLESS STEEL - ACIER INOX | Ø | L1 | L2 | |
|---|-----|-----|-----|---|
| J130FIN1 | 130 | 400 | 380 | 1 |
| J150FIN1 | 150 | 400 | 400 | 1 |
| J180FIN1 | 180 | 440 | 430 | 1 |
| J200FIN1 | 200 | 460 | 430 | 1 |
| J250FIN1 | 250 | 525 | 430 | 1 |



Articolo fornito completo di viteria - Article supplied complete with screws - Article livré complet avec vis

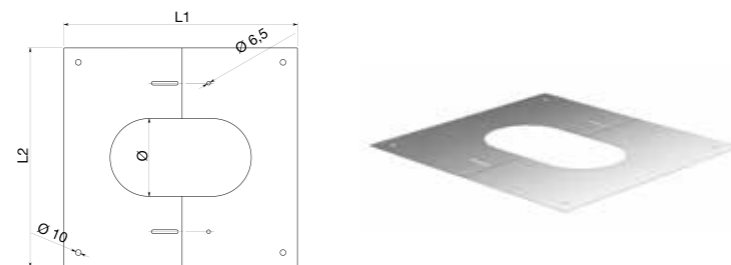
FIN2

Piastra quadrata di finitura da 30° a 45°

Square finishing plate from 30° to 45° - Plaque carrée de finition de 30° à 45°

Finiture disponibili - Available finishes - Finitions disponibles

| F.08 - ACCIAIO INOX STAINLESS STEEL - ACIER INOX | Ø | L1 | L2 | |
|---|-----|-----|-----|---|
| J130FIN2 | 130 | 405 | 380 | 1 |
| J150FIN2 | 150 | 430 | 400 | 1 |
| J180FIN2 | 180 | 500 | 430 | 1 |
| J200FIN2 | 200 | 530 | 430 | 1 |
| J250FIN2 | 250 | 620 | 440 | 1 |



Articolo fornito completo di viteria - Article supplied complete with screws - Article livré complet avec vis

FIN3

Piastra tonda di finitura regolabile

Adjustable finishing plate - Plaque ronde de finition réglable

Finiture disponibili - Available finishes - Finitions disponibles

| F.08 - ACCIAIO INOX STAINLESS STEEL - ACIER INOX | Ø1 | Ø2 | |
|---|-----|-----|---|
| J130FIN3 | 130 | 300 | 1 |
| J150FIN3 | 150 | 320 | 1 |
| J180FIN3 | 180 | 350 | 1 |
| J200FIN3 | 200 | 450 | 1 |
| J250FIN3 | 250 | 450 | 1 |



Articolo fornito completo di viteria - Article supplied complete with screws - Article livré complet avec vis

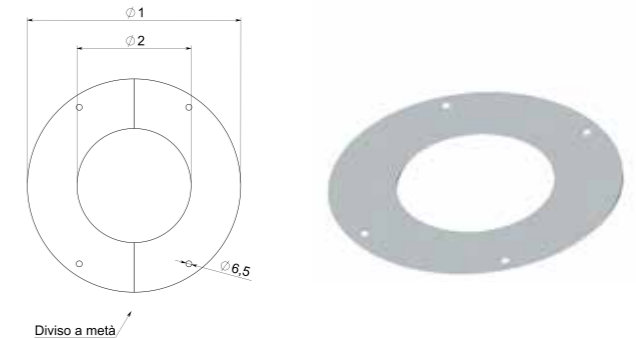
FINZ

Piastra tonda di finitura

Round finishing plate - Plaque ronde de finition

Finiture disponibili - Available finishes - Finitions disponibles

| F.08 - ACCIAIO INOX STAINLESS STEEL - ACIER INOX | Ø1 | Ø2 | |
|---|-----|-----|---|
| J080FINZ | 180 | 83 | 1 |
| J100FINZ | 200 | 103 | 1 |
| J120FINZ | 230 | 123 | 1 |
| J130FINZ | 240 | 133 | 1 |
| J140FINZ | 250 | 143 | 1 |
| J150FINZ | 260 | 153 | 1 |
| J160FINZ | 270 | 163 | 1 |
| J180FINZ | 290 | 183 | 1 |
| J200FINZ | 310 | 203 | 1 |
| J250FINZ | 360 | 253 | 1 |



Articolo fornito completo di viteria - Article supplied complete with screws - Article livré complet avec vis

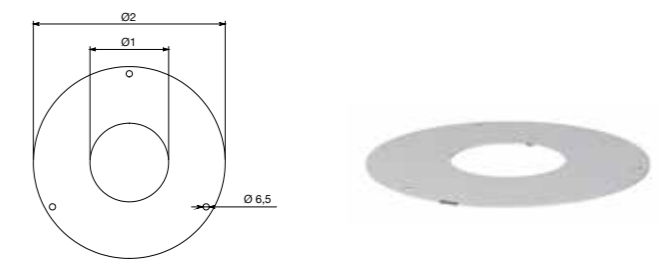
ROS3

Rosone a tre fori

Ring with three holes - Rosace avec trois trous

Finiture disponibili - Available finishes - Finitions disponibles

| F.08 - ACCIAIO INOX STAINLESS STEEL - ACIER INOX | Ø1 | Ø2 | |
|---|-----|-----|---|
| J080ROS3 | 80 | 200 | 1 |
| J100ROS3 | 100 | 200 | 1 |



Articolo fornito completo di viteria - Article supplied complete with screws - Article livré complet avec vis

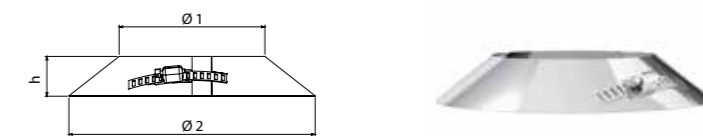
SS24

Rosone conico di finitura

Finishing conic ring - Rosace conique de finition

Finiture disponibili - Available finishes - Finitions disponibles

| F.08 - ACCIAIO INOX STAINLESS STEEL - ACIER INOX | Ø1 | Ø2 | h | |
|---|-----|-----|----|---|
| J080SS24 | 80 | 180 | 40 | 1 |
| J100SS24 | 100 | 200 | 40 | 1 |
| J130SS24 | 130 | 230 | 40 | 1 |
| J150SS24 | 150 | 250 | 40 | 1 |
| J180SS24 | 180 | 280 | 40 | 1 |
| J200SS24 | 200 | 300 | 40 | 1 |
| J250SS24 | 250 | 350 | 40 | 1 |
| J300SS24 | 300 | 400 | 40 | 1 |



GUAR

Guarnizione in silicone

Silicone gasket - Joint silicone

| CODICE CODE - CODE | Ø | h | |
|-----------------------|-----|------|---|
| I080GUAR | 80 | 11,5 | 1 |
| I100GUAR | 100 | 11,5 | 1 |
| I120GUAR | 120 | 11,5 | 1 |
| I130GUAR | 130 | 11,5 | 1 |
| I140GUAR | 140 | 11,5 | 1 |
| I150GUAR | 150 | 11,5 | 1 |
| I160GUAR | 160 | 11,5 | 1 |
| I180GUAR | 180 | 11,5 | 1 |
| I200GUAR | 200 | 11,5 | 1 |
| I220GUAR | 220 | 11,5 | 1 |
| I250GUAR | 250 | 11,5 | 1 |
| I300GUAR | 300 | 11,5 | 1 |
| I350GUAR | 350 | 11,5 | 1 |
| I400GUAR | 400 | 11,5 | 1 |



Silicone nero resistente fino a 200° - Black silicone resistant up to 200° - Silicone noir résistant jusqu'à 200°



COPA

Coppella con rivestimento in alluminio resistente fino a 600°C
Thermal insulation with aluminium coating resistant up to 600°C
Isolation thermique avec revêtement en aluminium résistant jusqu'à 600°C

| CODICE CODE - CODE | Ø | SP | h | |
|-----------------------|-----|----|-----|---|
| I080COPA | 80 | 25 | 950 | 1 |
| I100COPA | 100 | 25 | 950 | 1 |
| I120COPA | 120 | 25 | 950 | 1 |
| I130COPA | 130 | 25 | 950 | 1 |
| I140COPA | 140 | 25 | 950 | 1 |
| I150COPA | 150 | 25 | 950 | 1 |
| I160COPA | 160 | 25 | 950 | 1 |
| I180COPA | 180 | 25 | 950 | 1 |
| I200COPA | 200 | 25 | 950 | 1 |
| I250COPA | 250 | 25 | 950 | 1 |
| I300COPA | 300 | 25 | 950 | 1 |
| I350COPA | 350 | 25 | 950 | 1 |
| I400COPA | 400 | 25 | 950 | 1 |



Coppelle in lana di roccia per canne fumarie densità 90kg/m³ - Rockwool insulation for chimney systems density 90 kg/m³ - Isolation de laine de roche pour conduits de cheminée densité 90 kg/m³

COPT

Coppella in feltro agugliato con rivestimento in alluminio retinato rinforzato resistente fino a 650°C
Needle felt insulation with reinforced aluminium coating resistant up to 650°C
Isolation en feutre aiguilleté avec revêtement en aluminium résistant jusqu'à 650°C

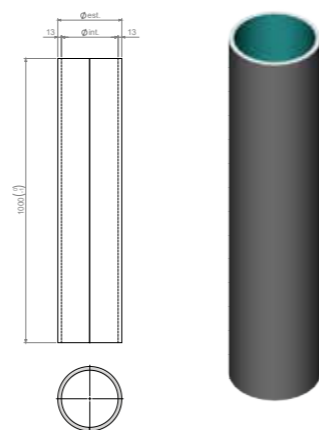
| CODICE CODE - CODE | Ø | SP | h | |
|-----------------------|-----|----|------|---|
| I080COPT | 80 | 25 | 1000 | 1 |
| I100COPT | 100 | 25 | 1000 | 1 |
| I120COPT | 120 | 25 | 1000 | 1 |
| I130COPT | 130 | 25 | 1000 | 1 |
| I150COPT | 150 | 25 | 1000 | 1 |
| I180COPT | 180 | 25 | 1000 | 1 |
| I200COPT | 200 | 25 | 1000 | 1 |
| I250COPT | 250 | 25 | 1000 | 1 |
| I300COPT | 300 | 25 | 1000 | 1 |
| I350COPT | 350 | 25 | 1000 | 1 |
| I400COPT | 400 | 25 | 1000 | 1 |



COPS

Coppella in feltro agugliato con fibra vetro-silice resiste fino a 1000°C
Needle felt insulation with glass-silica fiber resistant up to 1000 °C
Isolation en feutre aiguilleté avec fibre de verre-silice résistant jusqu'à 1000 °C

| CODICE CODE - CODE | Øi | Øe | |
|-----------------------|-----|-----|---|
| I080COPS | 81 | 107 | 1 |
| I100COPS | 101 | 127 | 1 |
| I120COPS | 121 | 147 | 1 |
| I130COPS | 131 | 157 | 1 |
| I140COPS | 141 | 167 | 1 |
| I150COPS | 151 | 177 | 1 |
| I160COPS | 161 | 187 | 1 |
| I180COPS | 181 | 207 | 1 |
| I200COPS | 201 | 227 | 1 |
| I220COPS | 221 | 247 | 1 |
| I250COPS | 251 | 277 | 1 |
| I300COPS | 301 | 327 | 1 |



Caratteristiche tecniche della coppella

- Designazione di sistema: T450-N1-W-V2-L50050-G90 (test con cavedio tecnico in aria libera)
- Diametri disponibili: dall'80 al 300 mm
- Lunghezza: 1000 mm
- Spessore: 13 mm
- Resistenza allo shock termico: G90 (90 millimetri di distanza da parete sensibile)
- Classe di temperatura: T450
- Temperatura di regime costante: 550°C
- Temperatura di punta: 1000°C
- Reazione al fuoco: A1
- Resistente alle vibrazioni
- Non subisce alterazioni in caso di formazione di condensa, è idrorepellente.
- Buona funzione di isolamento acustico

Technical features:

- System designation: T450-N1-W-V2-L50050-G90 (test on existing chimney with ventilation)
- Available diameters: from 80 to 300 mm
- Length: 1000 mm
- Thickness: 13 mm
- Thermal shock resistance: G90 (distance of 90mm from sensitive wall)
- Temperature class: T450
- Constant operating temperature: 550°C
- Peak temperature: 1000°C
- Reaction to fire: A1
- Vibration resistant
- It does not undergo alterations in case of condensation, it is water-repellent.
- Good sound insulation

Caractéristiques techniques:

- Désignation du système: T450-N1-W-V2-L50050-G90 (testé dans un conduit de cheminée existant avec ventilation haute et basse)
- Diamètres disponibles: de 80 à 300 mm
- Longueur: 1000 mm
- Epaisseur: 13 mm
- Résistance aux chocs thermiques: G90 (distance de 90mm de la paroi inflammable)
- Classe de température: T450
- Température en fonctionnement constant: 550°C
- Température de pointe: 1000°C
- Classe de réaction au feu: A1
- Résistant aux vibrations
- Il ne subit pas d'altérations en cas de formation de condensats, il est hydrofuge.
- Bonne fonction d'isolation acoustique

T90R/F

Raccordo a "T" 90° ridotto (stacco con Ø2 a scelta)
90° Tee pipe fitting reduced (coupler with Ø2 to be chosen)
Té 90° réduit (débouchure Ø2 à choisir)

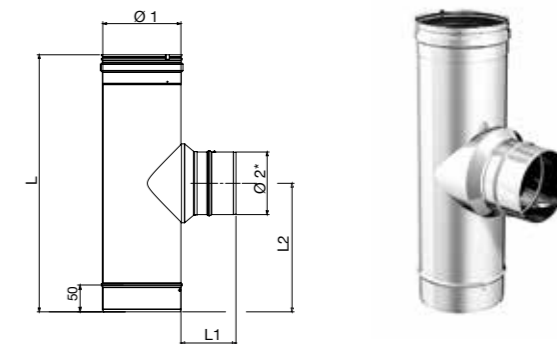
Componi così il tuo codice
Compose your code in this way
Composez votre code de cette façon

Ø1
Ø2
I150 T90R_I 120

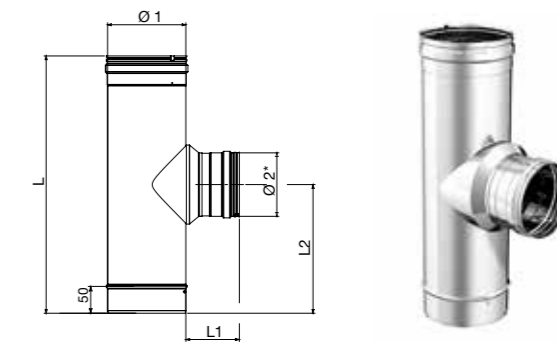
Modello raccordo
T90R= stacco maschio
T90F= stacco femmina
"T" model
T90R=coupler male
T90F=coupler female
Modèle du raccord
T90R=débouchure mâle
T90F=débouchure femelle

I = mono parete inox 316
D = linea legna/pellet colore nero
G = linea legna/pellet colore grigio
I= single wall stainless steel 316
D= wood/pellet line black color
G= wood/pellet line grey color
I= simple paroi inox 316
D= gamme bois/pellet couleur noir
G= gamme bois/pellet couleur grise

| Ø1 | L | L1 | L2 | |
|-----|-----|----|-----|---|
| 120 | 325 | 80 | 164 | 1 |
| 130 | 325 | 80 | 164 | 1 |
| 140 | 325 | 80 | 164 | 1 |
| 150 | 495 | 80 | 249 | 1 |
| 160 | 325 | 80 | 249 | 1 |
| 180 | 495 | 80 | 249 | 1 |
| 200 | 495 | 80 | 249 | 1 |
| 220 | 495 | 80 | 249 | 1 |
| 250 | 495 | 80 | 249 | 1 |
| 300 | 495 | 80 | 249 | 1 |
| 350 | 545 | 80 | 274 | 1 |
| 400 | 595 | 80 | 299 | 1 |



T90R
Stacco maschio
Male coupler / Débouchure mâle

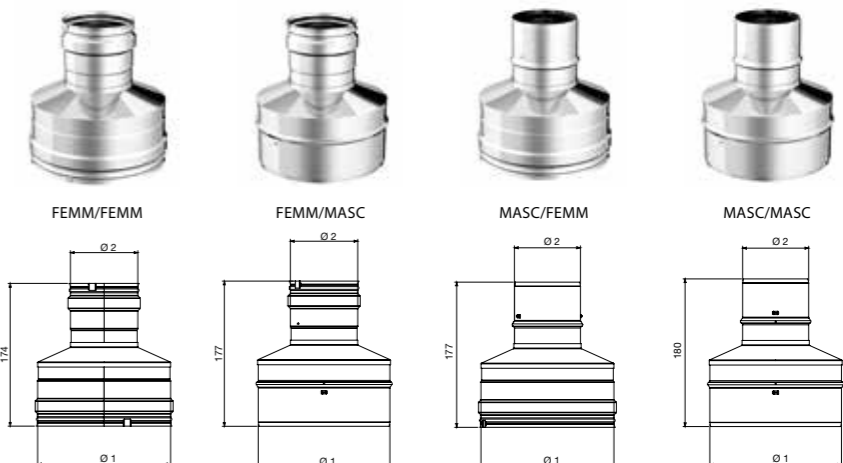


T90F
Stacco femmina
Female coupler / Débouchure femelle

Per formulare il prezzo considerare il diametro del raccordo a "T" Ø1
To calculate the price, consider the diameter of the "T" pipe fitting Ø1
Pour formuler le prix, considérer le diamètre du raccord à "T" Ø1

IR

Riduttore maggioratore speciale
Special reducer-enlarger
Réduction augmentation sur mesure



Componi così il tuo codice
Compose your code in this way
Composez votre code de cette façon

Ø1
M=maschio/F=femmina
M= male/F=female
M=mâle/F=femelle
Ø2
M=maschio/F=femmina
M= male/F=female
M=mâle/F=femelle
IR 150 M 130 F

| DIAMETRI DIAMETERS / DIAMETRES | |
|--|---|
| dal diam 80 al diam 200 / from diam 80 to diam 200 / du diam 80 au diam 200 | 1 |
| dal diam 220 al diam 250 / from diam 220 to diam 250 / du diam 220 au diam 250 | 1 |
| dal diam 300 al diam 400 / from diam 300 to diam 400 / du diam 300 au diam 400 | 1 |

Per formulare il prezzo, considerare Ø1
To calculate the price, consider Ø1
Pour formuler le prix, considérer Ø1